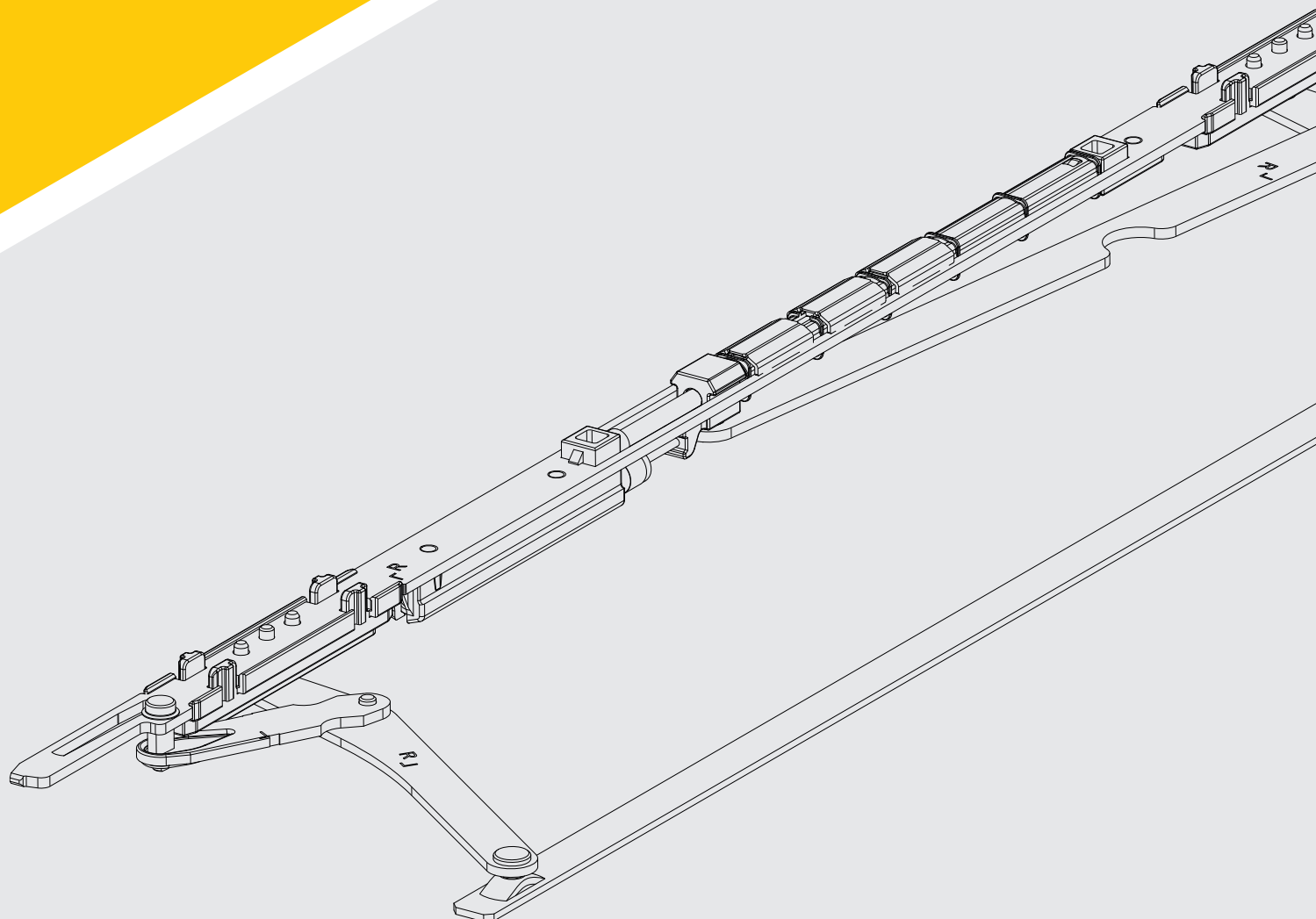


ATRIUM® Alu-SP
komfort
retract and slide



HAUTAU

OPENS NEW DIMENSIONS



HARDWARE CATALOGUE 2019
ALUMINIUM

Parallel-Retract-Slide Fittings

ATRIUM Alu-SP® komfort

Version 07/2019

**You will find the latest catalogue version online
on www.HAUTAU.de**

HAUTAU GmbH
P.O.Box 1151
D 31689 Helpsen
Phone 05724/393-0
Telefax 05724/393-125
Info@HAUTAU.de
www.HAUTAU.de

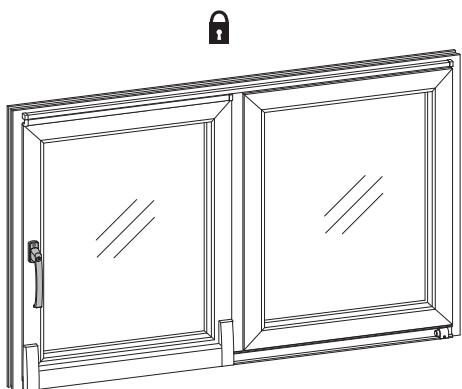
Printed in Germany · Reprint, even in excerpts, not without the publisher's approval.

In consideration of progress, we reserve the right to apply construction modifications and to consequently change any figures, dimensions, weight specifications etc. The figures do not show items in their actual size and are also not of the same proportion.

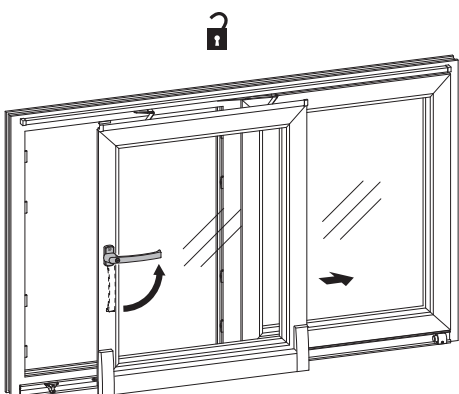
Contents

	Page
ATRIUM Alu-SP® komfort	6
Range of application ATRIUM Alu-SP® komfort	8
Sash arrangements, text for invitations of tenders	9
Order details and packing units, colour information	10
System requirements	11
Overview – contents of the packing units	12
 Fitting parts:	
ATRIUM Alu-SP® komfort – 160 kg, locking system D10.....	14
ATRIUM Alu-SP® komfort TWIN – 200 kg, locking system D10.....	16
ATRIUM Alu-SP® komfort –160 kg, locking system D10, burglar protection in closed position OSL	18
ATRIUM Alu-SP® komfort TWIN – 200 kg, locking system D10, burglar protection in closed position OSL	20
ATRIUM Alu-SP® komfort –160 kg, locking system D10, OSL.....	22
ATRIUM Alu-SP® komfort TWIN – 200 kg, locking system D10, OSL.....	24
ATRIUM Alu-SP® komfort –160 kg, without locking system.....	26
ATRIUM Alu-SP® komfort TWIN – 200 kg, without locking system.....	28
ATRIUM Alu-SP® komfort –160 kg, for aluminium systems, with KS groove (16/12)	30
ATRIUM Alu-SP® komfort TWIN - 200 kg, for aluminium systems, with KS groove (16/12)	32
Gear types	34
Handles	36
Profiles in stock lengths/accessories and strikers / Profile related special parts	38
Mounting tools	40
Overview of documents	41

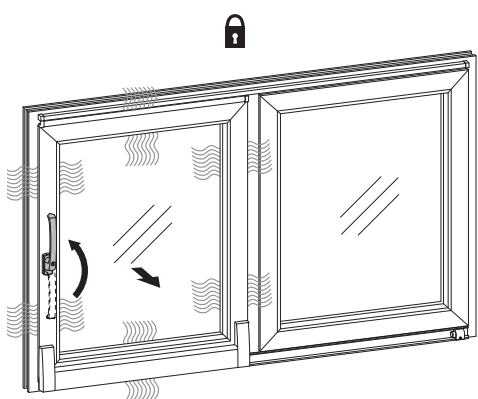
ATRIUM Alu-SP® komfort for aluminium parallel retract slide elements with sash weights of up to 200 kg



Closed position



Slide position



Night vent position

Unique comfort

The innovative, patented soft close mechanism of our ATRIUM Alu-SP® komfort automatically moves the sash to its closed position. Its intelligent stay system allows this product to open and close the sash smoothly and noiselessly.

ATRIUM Alu-SP® komfort is the superior fitting for high-quality sliding elements.

Reliable operation

The innovative design of stays and bogies does away with faulty operations and the need to implement any additional safety devices against incorrect operation. The operation of this sliding sash is intuitive and safe – even if different users operate the sash. An absorber built into the stay system minimises the risk of sustaining crushing injuries.

Healthy ventilation

Thanks to its all-around night ventilation feature, this sliding element will keep your rooms safe even if you are not at home, as the ventilation position is not visible from the outside. A natural exchange of air provides for a wholesome living climate and prevents the growth of mould.

Tried and tested

ATRIUM Alu-SP® komfort is also equipped with:

- Bogies and a stay system that allows for opening widths of up to 117 mm in highly efficient heat insulating window systems.
- Cleaning brushes ensure a long lifespan and smooth operation.
- Pre-installed fitting parts provide for easier installation.
- All-around locking system for optimised sealing.
- TWIN bogies for sash weights of up to 200 kg.

www.HAUTAU.de

ATRIUM Alu-SP® komfort for aluminium parallel retract slide elements with sash weights of up to 200 kg

Bogie design requiring only 35 mm of space, maximum roller diameter, concealed control system, and self-locking height adjustment

The bogies of the ATRIUM Alu-SP® komfort have a roller diameter of 28 mm and a closed housing but require only 35 mm of space. A concealed control system and the non-soiling guide block guarantee a long lifespan as well as easy and convenient operation. Only one tool is required to adjust the sash thanks to the self-locking height adjustment including safety clip.

Running rail

Sash weights of up to 160 kg no longer require that the running rail be supported, provided the specified screw tightening torques are observed.

Range of application

For aluminium systems with sash groove 15/20.

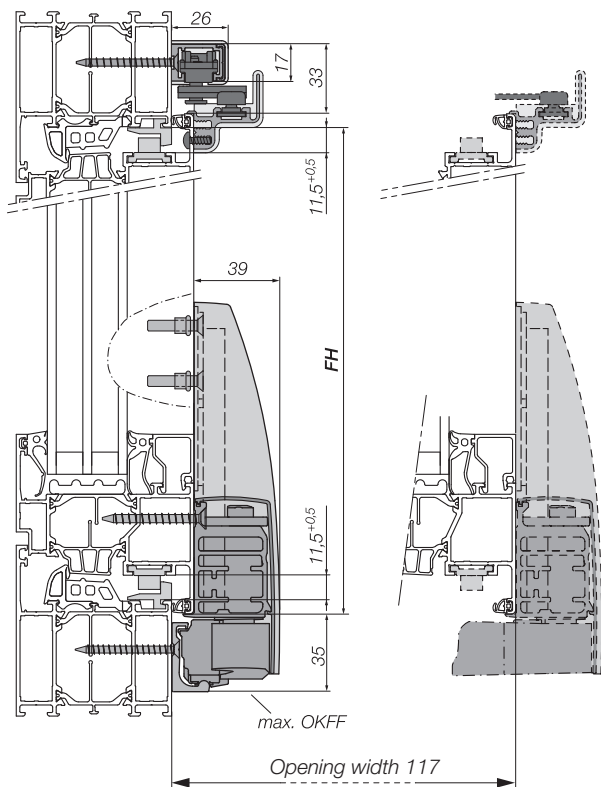
- Adjustable support arms make it possible to perfectly adjust the sash entry and sash exit to the different installation depths
- The newly designed packaging allows for a multitude of different variation options and keeps storage costs at a minimum
- Torx screws ensure that the fitting parts can be connected in a fast and secure manner

The known benefits of the ATRIUM Alu-SP® komfort

- Top and bottom fitting parts reliably stop the sash in any opening position
- Cleaning brushes on the bogies ensure a long lifespan and smooth operation
- Short distance between supporting bolt and sash for perfect weight support and minimum stress on the sash profile
- Modern bogie cover



Range of application ATRIUM Alu-SP® komfort ATRIUM Alu-SP® komfort TWIN



Vertical section aluminium

Sash weights of up to 160 kg

Sash width (FB)	790 to 1,680 mm
Sash height (FH)	930 to 2,380 mm
Sash weight (FG)	max. 160 kg

Sash weights of up to 200 kg (TWIN)

Sash width (FB)	1,280 to 2,000 mm
Sash height (FH)	930 to 2,700 mm
Sash weight (FG)	max. 200 kg

Space requirements

Frame dimensional tolerance	
Running rail, bottom:	35 mm
Guiding rail, top:	33 mm
Running rail depth:	17 mm
Rebate step height:	at least 7 mm

Max. sash profile depth (FT) 87 mm
Sash profile depths > 87 mm subject to technical approval (run-out curve, sash's centre of gravity)

Important notes

The use of a spring stay is required for sash weights > 100 kg; applies to range of application FB > 930 mm.

Recommended height of the handle = center of the sash
Variation depending of the profile possible.

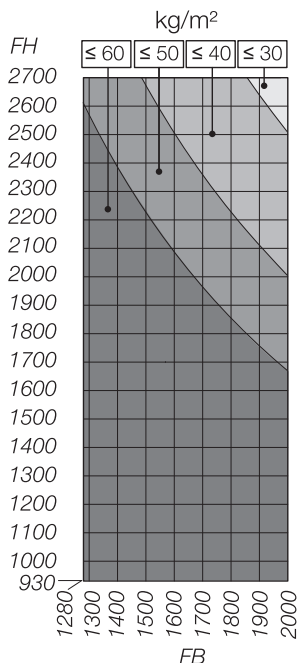
FH : FB = max. 2.5 : 1

No value must fall below or exceed the limits specified herein for the ranges of application. Please also follow the permissible application sizes, manufacturing instructions and processing guidelines as provided by the profile manufacturers.

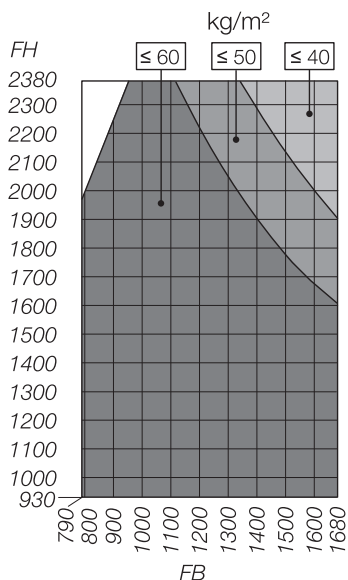
Take appropriate precautions to prevent the element from being overstrained by forced closing in special environments such as schools, kindergartens, etc. Please note that the elements are also susceptible to damage when used in moving objects such as trains or ships.

When in doubt, please contact our sales consultants.

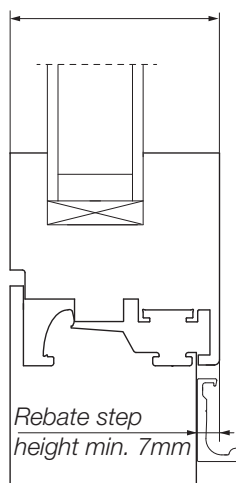
Sash weight max. 200 kg



Sash weight max. 160 kg

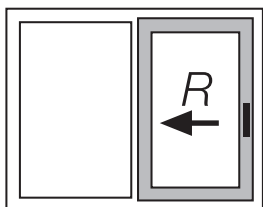


Sash profile depth (FT)

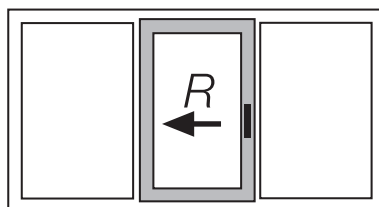


Sash arrangements ATRIUM Alu-SP® komfort

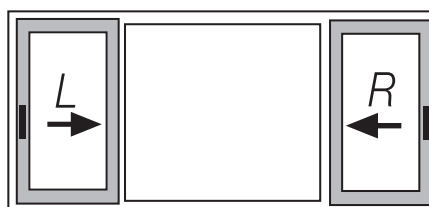
Frames with solid glazing or side hung sashes Schemes A, G, K, C, and C*



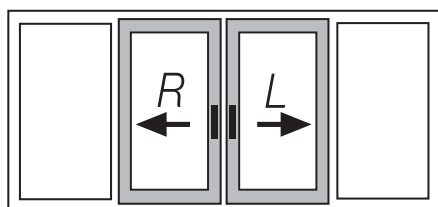
Scheme A
Two-part element:
1 sliding sash (L or R)



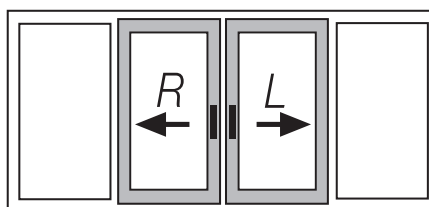
Scheme G
Three-part element:
1 sliding sash (L or R)



Scheme K
Three-part element:
2 sliding sashes Scheme A (L and R)

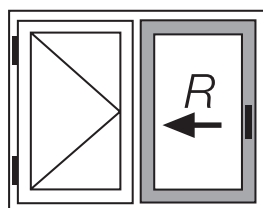


Scheme C*
Four-part element:
2 sliding sashes Scheme A (L and R)
with mounting posts between the elements



Scheme C
Four-part element:
2 sliding sashes (L and R),
without mounting posts between the sliding sashes

Frame with fixed mounting posts between side hung and sliding sash Scheme A



Scheme A
Two-part element:
1 sliding sash (L or R),
1 side hung sash
When ordering two-part
elements with fixed mounting
posts.

HAUTAU designs left = DIN EN 12519 right
HAUTAU designs right = DIN EN 12519 left

Text for invitations of tenders

ATRIUM Alu-SP® komfort parallel-retract-slide fitting with soft close mechanism and night ventilation

- Automatic soft-close retraction of the sash into the frame thanks to energy storage units at the top and the bottom
- Concealed central locking gear and all-around night vent position
- Parallel stop and slide position: ≈ 117 mm

Range of application

for windows and doors made of aluminium

Sash weight max. 160 kg

Sash width (FB) 790 to 1,680 mm
Sash height (FH) 930 to 2,380 mm

Sash weight max. 200 kg (TWIN)

Sash width (FB) 1,280 to 2,000 mm
Sash height (FH) 930 to 2,700 mm

Space requirements (frame dimensional tolerance):
35 mm running rail, bottom

Order details and packing units

ATRIUM Alu-SP® komfort

Packing unit	ATRIUM Alu-SP® komfort D10	ATRIUM Alu-SP® komfort D6
Carton Bogies	left or right/left TWIN or right TWIN	
Accessories Locking system	BZ locking system D10	
Carton Caps for bogies		
Accessories Spring stay FB 930 mm or more	> 100 kg left or right	
Handle	UG/EG	
Espag for EG handle		
Accessories Night vent strikers / strikers		
Rail set	FB 930 mm FB 1080 mm FB 1280 mm FB 1480 mm FB 1680 mm FB 2000 mm (TWIN only)	
Stay system set	FB 790 – 930 mm left or right (900) FB 931 – 1280 mm left or right (1250) FB 1281 – 1680 mm left or right (1650) FB 1681 – 2000 mm left or right (2000) (TWIN only)	

Colour information

	Design natural blank	Design silver	Design white	Design black	Design brown
Guiding rail	EV 1* natural anodised	EV 1* natural anodised	EV 1* natural anodised	EV 1* natural anodised	EV 1* natural anodised
Running rail EV 1*	EV 1* natural anodised	EV 1* natural anodised	black, anodised natural anodised	brown, anodised C35	dark bronze, anodised, C34
Holding rail and cover profile	natural blank	silver, coated	white, coated RAL 9016	black, coated RAL 9005	brown, coated 8077
Cover caps	colour-matched				

* EV 1 corresponds to C0

Notes concerning the coating of design “natural blank”:

Running and guiding rails must never be paint-coated, but may only be anodised.

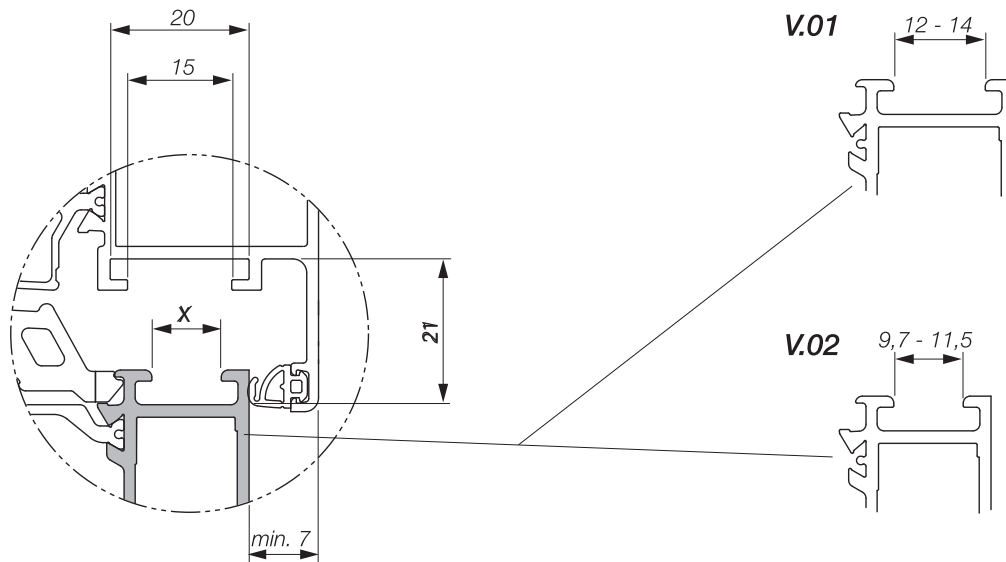
Holding rail and cover profile can be coated with powder or wet paint.

Follow the procedure below for cover caps made of PVC:

- Plasma priming in a vacuum chamber
- Cleaning with ionised air
- Painting with 2-component acrylic paint
- Drying in the oven at 70 °C (158 °F)

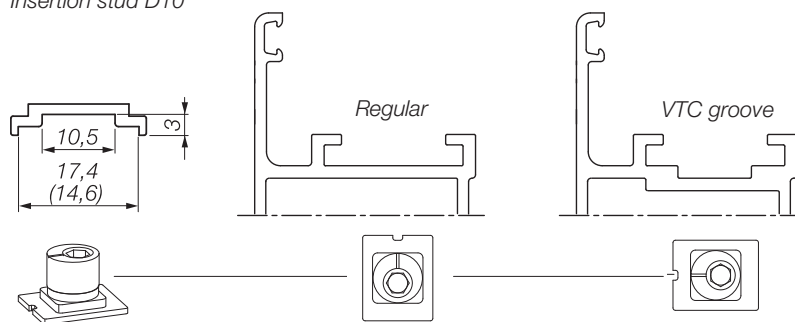
System requirements ATRIUM Alu-SP® komfort

Chamber dimensions and grooves

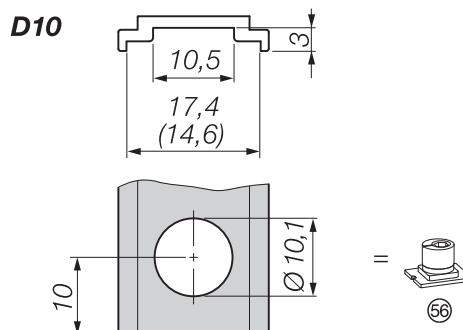


Locking rods

Design
Insertion stud D10



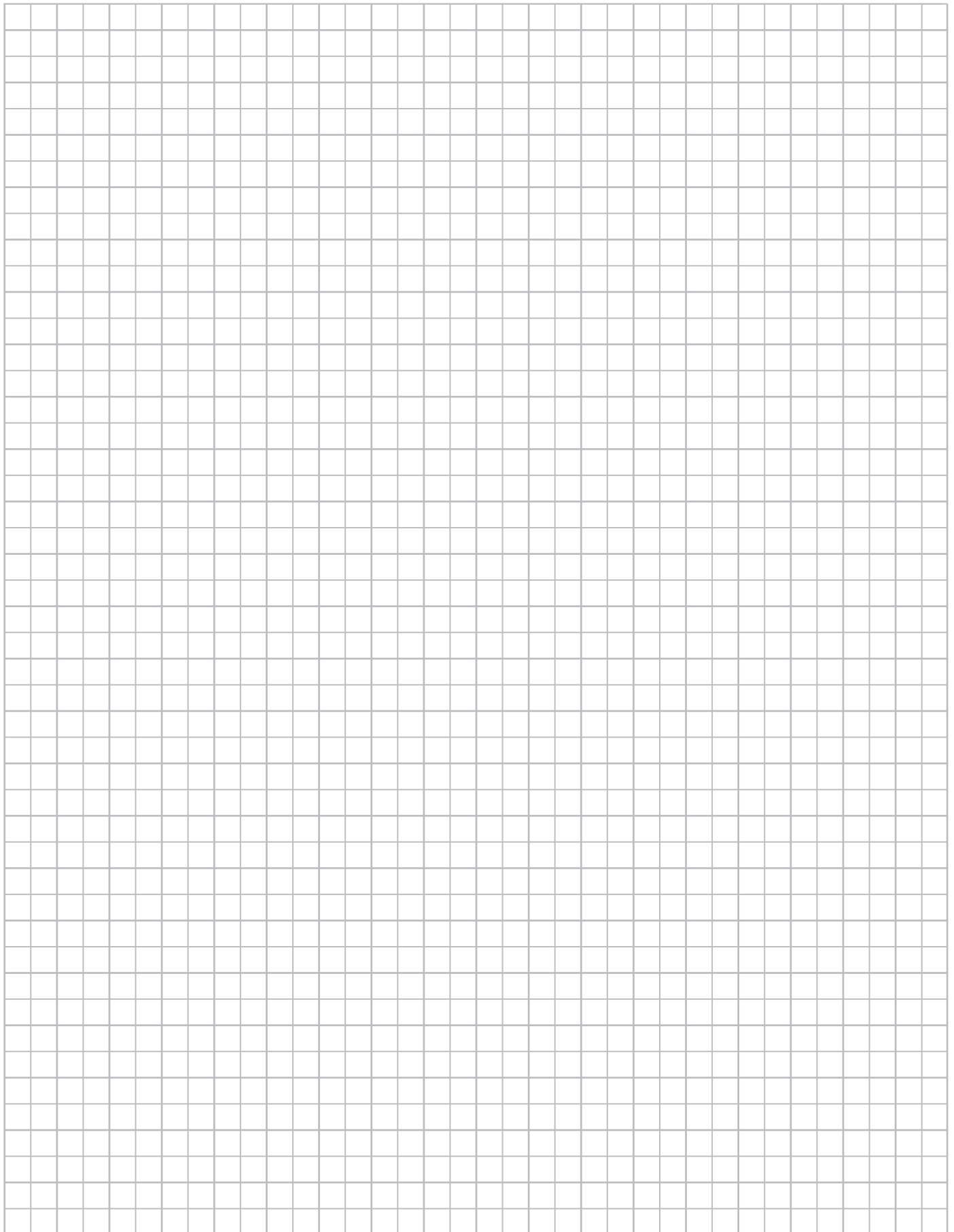
Depending on the locking drive rod used,
design D6 or design D10 will be required.



Overview - contents of the packing units

	<p>2x ④ 12x ⑤9a 4,8 x 50 2x ⑧4 4x M5 x 10 1x ① 1x ②</p>	<p>1x ④ 24x ⑤9a 4,8 x 50 2x ⑧4 4x M5 x 10 1x ①a 1x ②a FG > 160 kg</p>	
	<p>D10 4x ①9 2x M5 x 12 1x ⑧5 1x ⑧</p>	<p>ATRIUM Alu-SP® komfort</p>	
	<p>4x ⑬3b 4x ⑬3 4x ⑬5 2x ⑧2a 2x ⑧2b D10 4x ⑤6</p>	<p>4x ⑦6 4x ⑤9d M5 x 25 2x ③ 1x ④4 1x ④5</p>	
	<p>UG 1x ⑥a UG-S 1x ⑥b</p>	<p>EG 1x ⑨ 2x M5 x 50 EG-S 1x ⑩ 2x M5 x 50</p>	<p>EG-Pzl 1x ⑪ 1x □7,0 x 150 EG-PzA 1x ⑫ 2x M5 x 100 1x ⑦ optional</p>
	<p>EG 1x ⑳8</p>	<p>EG-oS 1x ⑳8a</p>	<p>EG-Pz 1x ⑳0 2x ⑬5 3x ⑤9g 3,9 x 22</p>
	<p>1x ④8a 1x ②6</p>		<p>1x ⑬9 FG > 100 kg</p>
	<p>1x ⑳38 1x ⑳35 1x ⑳36 1x ⑳37 1x ⑳39 1x ⑳40 FB > 1480 1x ⑵1 1x ⑴7 1x ⑴6 1x ⑴8 2x ⑴1 1x ⑵0 1x ⑴2 1x ⑴3 ⑵9c 40x 3,9 x 45 (d, max. 7) ⑵9e 10x 3,9 x 9,5</p>		

Notes

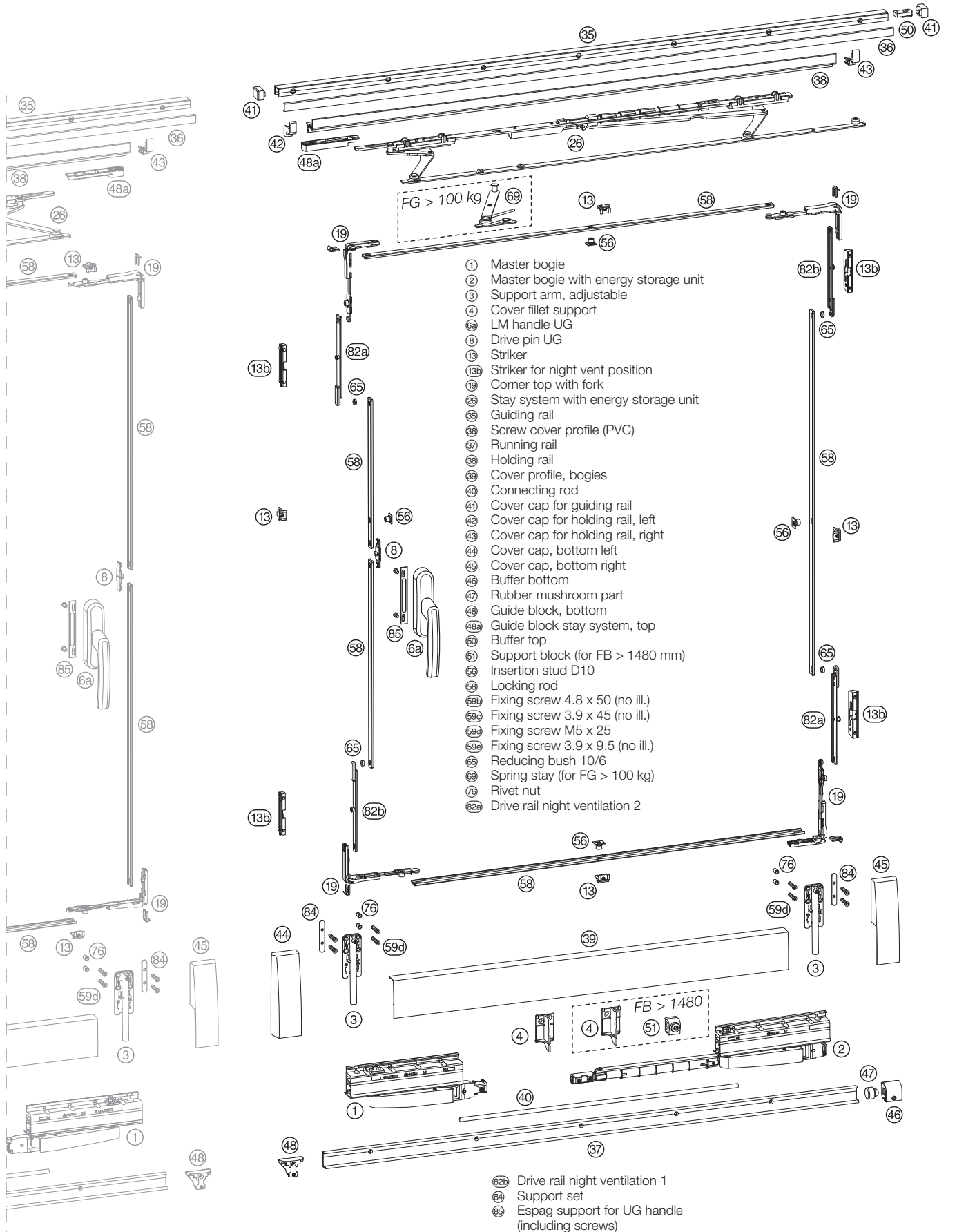


ATRIUM Alu-SP® komfort

Locking system D10, sash weight up to 160 kg

160 kg

D10



ATRIUM Alu-SP® komfort

Locking system D10, sash weight up to 160 kg



Units for scheme

A	G	K	C	Item name	Item code
1	1	2	2	BZ locking system Alu-SP D10 (8) (19) (56) (65)	left/right 241108
1	1	1 L 1 R	1 L 1 R	Carton bogies FG 160 kg (1) (2) (4) (59b) (64)	left 231231 right 231234
1	1	1 L 1 R	1 L 1 R	BZ spring stay ¹⁾ (69)	left 240361 right 240364
1	1	2	2	Caps bogies, large + support arms (3) (44) (45) (59d) (76)	silver 230521 white 230527 black 230524 brown 240418 blank 230518
1	1	2	1	BZ night vent strikers D10 (13) (13b) (56) (65) (82a) (82b)	V.01 ⁴⁾ left 231237 V.02 ⁴⁾ right 231243 right 231240 231246
			1	BZ striker set, insertion studs ²⁾ D10 OSL (13) (56)	V.01 ⁴⁾ 232801 V.02 ⁴⁾ 232807
1	1	2	2	Rail set (35) (36) (37) (38) (39) (40) (41) (42) (43) (46) (47) (48) (50) (59c) (59e) also for FB >1480: (51)	FB 790 - 930 RAB 1930 silver 230536 white 230539 black 230530 brown 238819 blank 230533 931 - 1080 2230 230548 230551 230542 238822 230545 1081 - 1280 2630 230560 230563 230554 238825 230557 1281 - 1480 3030 230572 230575 230566 238828 230569 1481 - 1680 3430 230584 230587 230578 238831 230581
1	1	1 L 1 R	1 L 1 R	Stay system set (26) (48a)	FB 790 - 930 GR 900 left 233074 right 233065 931 - 1280 1250 233077 233068 1281 - 1680 1650 233080 233071
1	1	2	2	LM handle UG (69)	see p. 44/45
1	1	2	2	Espag for EG (no ill.)	see p. 42/43

¹⁾ Spring stay required for sash weights of 100 kg or more; applies to range of application FB > 930 mm

²⁾ Note concerning Scheme C: The inactive sash is not equipped for night ventilation

⁴⁾ V.01 = Frame groove width 12-14 mm / V.02 = Frame groove width 9,7-11,5 mm

Item name	Item code
Rail Set 7 ** (35a) (36) (37a) (38) (39) (40) (41) (42) (43) (46) (47) (48) (50) (59c) (59e) FB >1480 additionally: (51)	FB 790 - 930 RAB 1930 silver 244549 white 244561 black 244567 blank 244603 931 - 1080 2230 244552 244534 244570 244606 1081 - 1280 2630 244555 244537 244573 244609 1281 - 1480 3030 244558 244540 244576 244612 1481 - 1680 3430 244561 244543 244579 244615

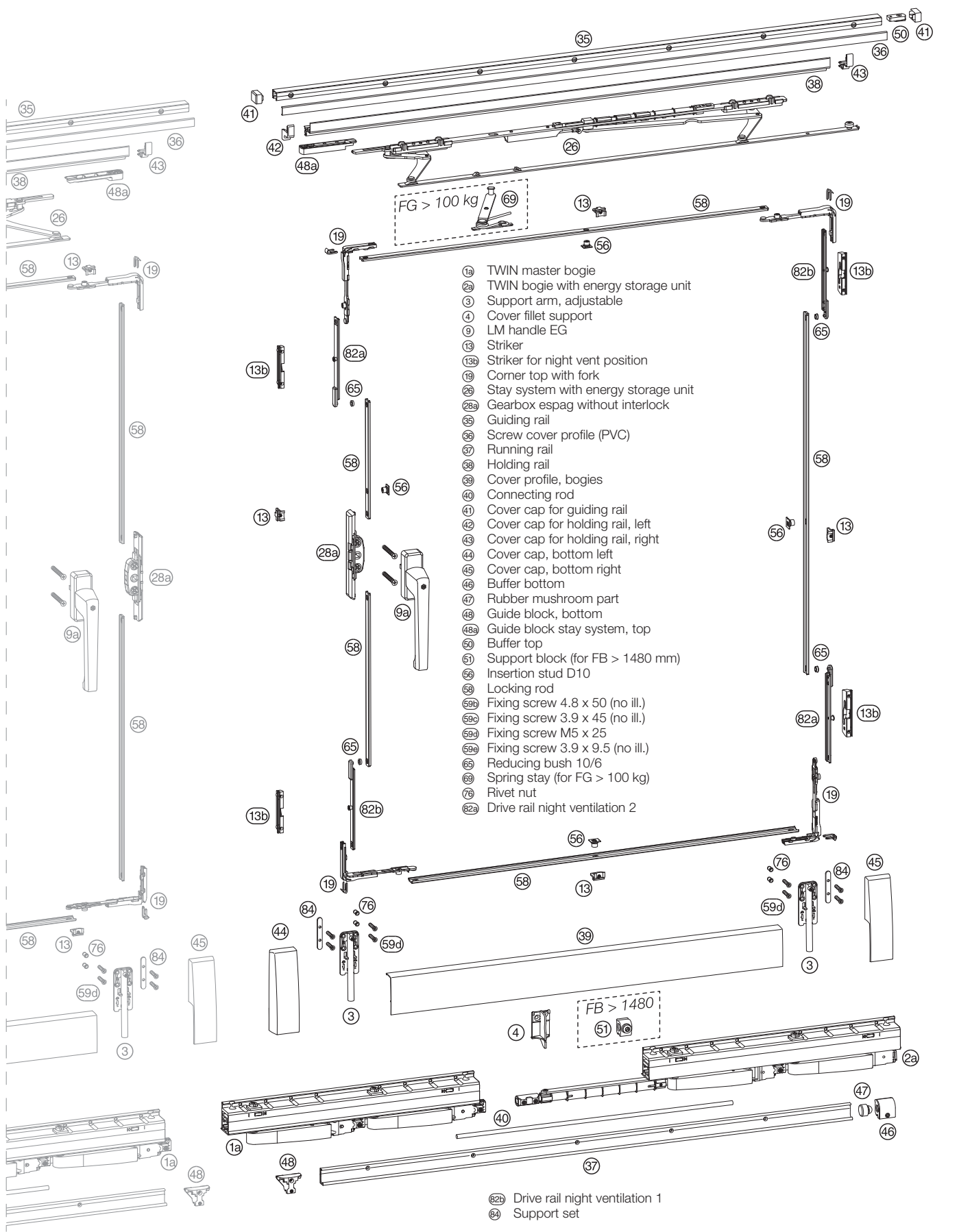
** The rail set 7 can be used if the fitting is > 10 mm or (profile-related) see online profile overview

ATRIUM Alu-SP® komfort TWIN

Locking system D10, sash weight up to 200 kg

200 kg

D10



- 1a TWIN master bogie
- 2a TWIN bogie with energy storage unit
- 3 Support arm, adjustable
- 4 Cover fillet support
- 9 LM handle EG
- 13 Striker
- 13b Striker for night vent position
- 19 Corner top with fork
- 26 Stay system with energy storage unit
- 28a Gearbox espag without interlock
- 35 Guiding rail
- 36 Screw cover profile (PVC)
- 37 Running rail
- 38 Holding rail
- 39 Cover profile, bogies
- 40 Connecting rod
- 41 Cover cap for guiding rail
- 42 Cover cap for holding rail, left
- 43 Cover cap for holding rail, right
- 44 Cover cap, bottom left
- 45 Cover cap, bottom right
- 46 Buffer bottom
- 47 Rubber mushroom part
- 48 Guide block, bottom
- 48a Guide block stay system, top
- 50 Buffer top
- 51 Support block (for FB > 1480 mm)
- 56 Insertion stud D10
- 58 Locking rod
- 59a Fixing screw 4.8 x 50 (no ill.)
- 59c Fixing screw 3.9 x 45 (no ill.)
- 59d Fixing screw M5 x 25
- 59e Fixing screw 3.9 x 9.5 (no ill.)
- 65 Reducing bush 10/6
- 69 Spring stay (for FG > 100 kg)
- 76 Rivet nut
- 82a Drive rail night ventilation 1
- 82b Drive rail night ventilation 2

82b Drive rail night ventilation 1
84 Support set

ATRIUM Alu-SP® komfort TWIN

Locking system D10, sash weight up to 200 kg



Units for scheme

A	G	K	C	Item name	Item code						
1	1	2	2	BZ locking system Alu-SP D10 (8) (19) (56)	left/right 241108						
1	1	1 L 1 R	1 L 1 R	Carton TWIN bogies FG 200 kg (1a) (2a) (4) (59b) (84)	left 241114 right 241117						
1	1	1 L 1 R	1 L 1 R	BZ spring stay ¹⁾ (69)	left 240361 right 240364						
1	1	2	2	Caps bogies, large + support arms (3) (44) (45) (59a) (76)	silver 230521	white 230527	black 230524	brown 240418	blank 230518		
1	1	2	1	BZ night vent strikers D10 (13) (13b) (56) (65) (82a) (82b)	left V.01 ⁴⁾ 231237 V.02 ⁴⁾ 231243 right 231240 231246						
			1	BZ striker set, insertion studs ²⁾ D10 OSL (13) (56)	V.01 ⁴⁾ 232801 V.02 ⁴⁾ 232807						
1	1	2	2	Rail set (35) (36) (37) (38) (39) (40) (41) (42) (43) (46) (47) (48) (50) (59c) (59e) also for FB >1480: (51)	FB 1281 – 1480 1481 – 1680 1681 – 2000	RAB 3030 3430 4130	silver 230572 230584 230596	white 230575 230587 230599	black 230566 230578 230590	brown 238828 238831 238834	blank 230569 230581 230593
1	1	1 L 1 R	1 L 1 R	Stay system set (26) (48a)	FB 1281 – 1680 1681 – 2000	GR 1650 2000	left 233080 233071 right 241120 241123				
1	1	2	2	LM handle 160 EG ³⁾ (9)	EV1 136634 white 136640 black 136643 brown 176808						
1	1	2	2	Gearbox espag without gearshift lock D10 (28a)	241099						

for additional handle and gear designs, see pages 42-45

¹⁾ Spring stay required for sash weights of 100 kg or more; applies to range of application FB > 930 mm

²⁾ Note concerning Scheme C: The inactive sash is not equipped for night ventilation

³⁾ The TWIN design supporting sash weights of up to 200 kg may only be used with gearbox espag and LM handle 160

⁴⁾ V.01 = Frame groove width 12-14 mm / V.02 = Frame groove width 9,7-11,5 mm

Item name	Item code						
	FB	RAB	silver	white	black	blank	
Rail Set 7 **	1281 - 1480	3030	244558	244540	244576	244612	
(35a) (36) (37a) (38) (39) (40) (41) (42) (43) (46) (47) (48) (50) (59c) (59e)	1481 - 1680	3430	244561	244543	244579	244615	
FB >1480 additionally: (51)	1681 - 2000	4130	244564	244546	244582	244618	

** The rail set 7 can be used if the fitting is > 10 mm or (profile-related) see online profile overview

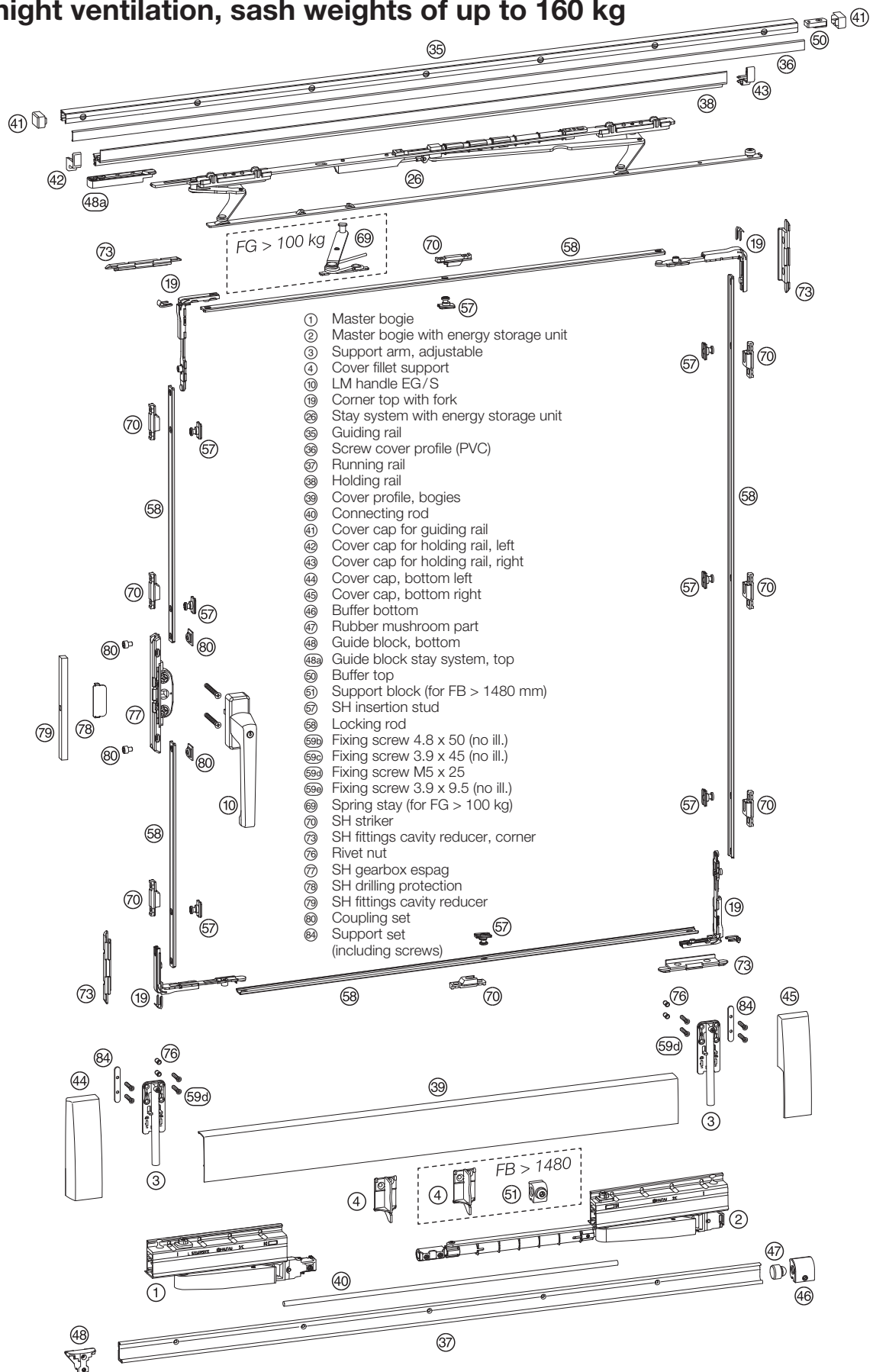
ATRIUM Alu-SP® komfort

Locking system D10, burglar protection in closed position
no night ventilation, sash weights of up to 160 kg

160
kg

D10

SAFE



- ① Master bogie
- ② Master bogie with energy storage unit
- ③ Support arm, adjustable
- ④ Cover fillet support
- ⑩ LM handle EG/S
- ⑱ Corner top with fork
- ⑳ Stay system with energy storage unit
- ⑳ Guiding rail
- ⑳ Screw cover profile (PVC)
- ⑳ Running rail
- ⑳ Holding rail
- ⑳ Cover profile, bogies
- ⑳ Connecting rod
- ⑳ Cover cap for guiding rail
- ⑳ Cover cap for holding rail, left
- ⑳ Cover cap for holding rail, right
- ⑳ Cover cap, bottom left
- ⑳ Cover cap, bottom right
- ⑳ Buffer bottom
- ⑳ Rubber mushroom part
- ⑳ Guide block, bottom
- ⑳ Guide block stay system, top
- ⑳ Buffer top
- ⑳ Support block (for FB > 1480 mm)
- ⑳ SH insertion stud
- ⑳ Locking rod
- ⑳ Fixing screw 4.8 x 50 (no ill.)
- ⑳ Fixing screw 3.9 x 45 (no ill.)
- ⑳ Fixing screw M5 x 25
- ⑳ Fixing screw 3.9 x 9.5 (no ill.)
- ⑳ Spring stay (for FG > 100 kg)
- ⑳ SH striker
- ⑳ SH fittings cavity reducer, corner
- ⑳ Rivet nut
- ⑳ SH gearbox espag
- ⑳ SH drilling protection
- ⑳ SH fittings cavity reducer
- ⑳ Coupling set
- ⑳ Support set (including screws)

ATRIUM Alu-SP® komfort

Locking system D10, burglar protection in closed position
no night ventilation, sash weights of up to 160 kg



Units for scheme

A	G	K	Item name	Item code						
1	1	2	BZ locking system Alu-SP D10 ⑧ ⑱ ⑤⑥	left/right	241108					
1	1	2	Carton bogies FG 160 kg ① ② ④ ⑤⑨ ⑧④	left	231231					
				right	231234					
1	1	2	BZ spring stay ¹⁾ ③⑨	left	240361					
				right	240364					
1	1	2	Caps bogies, large + support arms ③ ④④ ④⑤ ⑤⑨ ⑦⑥	silver	white	black	brown	blank		
				230521	230527	230524	240418	230518		
4	4	8	BZ SH fittings cavity reducer, corner ⑦③	241090						
1	1	2	BZ security locking parts ⑦⑦ ⑦⑧	V.01 ⁴⁾	V.02 ⁴⁾					
				241126	241129					
1	1	2	Rail set ⑤⑤ ⑤⑥ ⑤⑦ ⑤⑧ ⑤⑨ ④① ④② ④③ ④④ ④⑤ ④⑥ ④⑦ ④⑧ ⑤① ⑤②c ⑤②e also for FB >1480: ⑤①	FB	RAB	silver	white	black	brown	blank
				790 - 930	1930	230536	230539	230530	238819	230533
				931 - 1080	2230	230548	230551	230542	238822	230545
				1081 - 1280	2630	230560	230563	230554	238825	230557
				1281 - 1480	3030	230572	230575	230566	238828	230569
			1481 - 1680	3430	230584	230587	230578	238831	230581	
1	1	2	Stay system set ②⑥ ④⑧a	FB	GR	left				right
				790 - 900	900	233074				233065
				901 - 1280	1250	233077				233068
				1281 - 1680	1650	233080				233071
1	1	2	LM handle 160 EG-S ⑩	EV1	white	black	brown			
				136658	136664	136667	176811			
1	1	2	BZ SH gearbox espag with drilling protection D10 ⑦⑦ ⑦⑧ ⑦⑨ ⑧⑩	241087						

¹⁾ Spring stay required for sash weights of 100 kg or more; applies to range of application FB > 930 mm

⁴⁾ V.01 = Frame groove width 12-14 mm / V.02 = Frame groove width 9,7-11,5 mm

Item name	Item code						
Rail Set 7 ** ③⑤a ③⑥ ③⑦a ③⑧ ③⑨ ④① ④② ④③ ④④ ④⑤ ④⑥ ④⑦ ④⑧ ⑤① ⑤②c ⑤②e FB >1480 additionally: ⑤①	FB	RAB	silver	white	black	blank	
	790 - 930	1930	244549	244561	244567	244603	
	931 - 1080	2230	244552	244534	244570	244606	
	1081 - 1280	2630	244555	244537	244573	244609	
	1281 - 1480	3030	244558	244540	244576	244612	
	1481 - 1680	3430	244561	244543	244579	244615	

** The rail set 7 can be used if the fitting is > 10 mm or (profile-related) see online profile overview

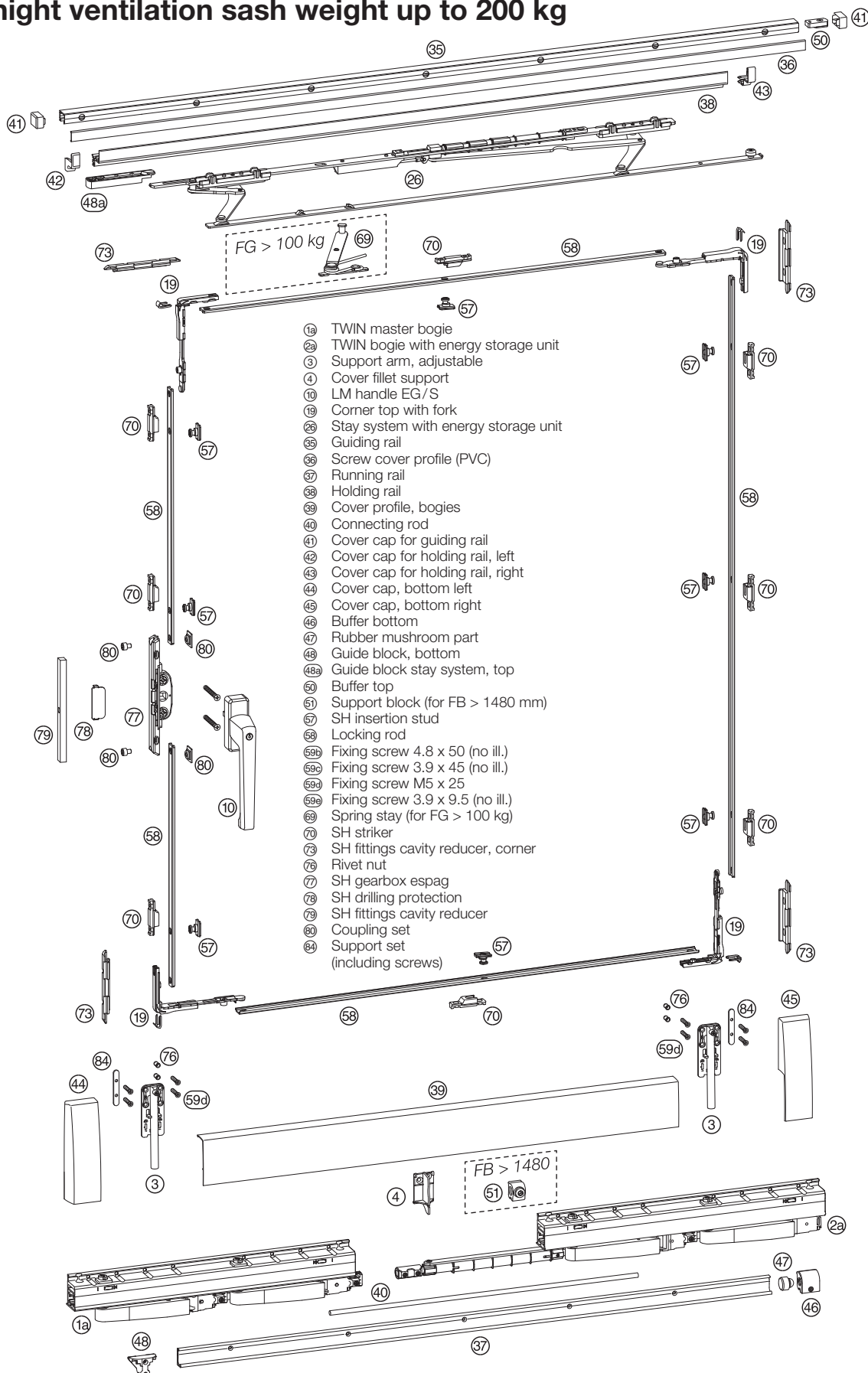
ATRIUM Alu-SP® komfort TWIN

Locking system D10, burglar protection in closed position
no night ventilation sash weight up to 200 kg

200 kg

D10

SAFE



- 1a TWIN master bogie
- 2a TWIN bogie with energy storage unit
- 3 Support arm, adjustable
- 4 Cover fillet support
- 10 LM handle EG/S
- 19 Corner top with fork
- 26 Stay system with energy storage unit
- 35 Guiding rail
- 36 Screw cover profile (PVC)
- 37 Running rail
- 38 Holding rail
- 39 Cover profile, bogies
- 40 Connecting rod
- 41 Cover cap for guiding rail
- 42 Cover cap for holding rail, left
- 43 Cover cap for holding rail, right
- 44 Cover cap, bottom left
- 45 Cover cap, bottom right
- 46 Buffer bottom
- 47 Rubber mushroom part
- 48 Guide block, bottom
- 48a Guide block stay system, top
- 50 Buffer top
- 51 Support block (for FB > 1480 mm)
- 57 SH insertion stud
- 58 Locking rod
- 59a Fixing screw 4.8 x 50 (no ill.)
- 59c Fixing screw 3.9 x 45 (no ill.)
- 59d Fixing screw M5 x 25
- 59e Fixing screw 3.9 x 9.5 (no ill.)
- 69 Spring stay (for FG > 100 kg)
- 70 SH striker
- 73 SH fittings cavity reducer, corner
- 76 Rivet nut
- 77 SH gearbox espag
- 78 SH drilling protection
- 79 SH fittings cavity reducer
- 80 Coupling set
- 84 Support set (including screws)

ATRIUM Alu-SP® komfort TWIN

Locking system D10, burglar protection in closed position
no night ventilation sash weight up to 200 kg



Units for scheme

A	G	K	Item name	Item code						
1	1	2	BZ locking system Alu-SP D10 ⑧ ⑱ ⑤⑥	left/right	241108					
1	1	2	Carton TWIN bogies FG 200 kg ⑬ ⑳ ④ ⑤⑨ ⑧④	left	241114					
				right	241117					
1	1	2	BZ spring stay ¹⁾ ⑥⑨	left	240361					
				right	240364					
1	1	2	Caps bogies, large + support arms ③ ④④ ④⑤ ⑤⑨⑩ ⑦⑥	silver	white	black	brown	blank		
				230521	230527	230524	240418	230518		
4	4	8	BZ SH fittings cavity reducer, corner ⑦③	241090						
1	1	2	BZ security locking parts ⑤⑦ ⑦①	V.01 ⁴⁾	V.02 ⁴⁾					
				241126	241129					
1	1	2	Rail set ③⑤ ③⑥ ③⑦ ③⑧ ③⑨ ④① ④② ④③ ④④ ④⑤ ④⑥ ④⑦ ④⑧ ⑤① ⑤②③ ⑤②④ also for FB >1480: ⑤①	FB	RAB	silver	white	black	brown	blank
				1281 - 1480	3030	230572	230575	230566	238828	230569
				1481 - 1680	3430	230584	230587	230578	238831	230581
				1681 - 2000	4130	230596	230599	230590	238834	230593
1	1	2	Stay system set ②⑥ ④⑧⑨	FB	GR	left				right
				1281 - 1680	1650	233080				233071
				1681 - 2000	2000	241120				241123
1	1	2	LM handle 160 EG-S ⑩	EV1	white	black	brown			
				136658	136664	136667	176811			
1	1	2	BZ SH gearbox espag with drilling protection D10 ⑦⑦ ⑦⑧ ⑦⑨ ⑧①	241087						

¹⁾ Spring stay required for sash weights of 100 kg or more; applies to range of application FB > 930 mm

⁴⁾ V.01 = Frame groove width 12-14 mm / V.02 = Frame groove width 9,7-11,5 mm

Item name	Item code					
	FB	RAB	silver	white	black	blank
Rail Set 7 **						
③⑤② ③⑥ ③⑦② ③⑧ ③⑨ ④① ④② ④③ ④④ ④⑤ ④⑥ ④⑦ ④⑧ ⑤① ⑤②③ ⑤②④	1281 - 1480	3030	244558	244540	244576	244612
FB >1480 additionally: ⑤①	1481 - 1680	3430	244561	244543	244579	244615
	1681 - 2000	4130	244564	244546	244582	244618

** The rail set 7 can be used if the fitting is > 10 mm or (profile-related) see online profile overview

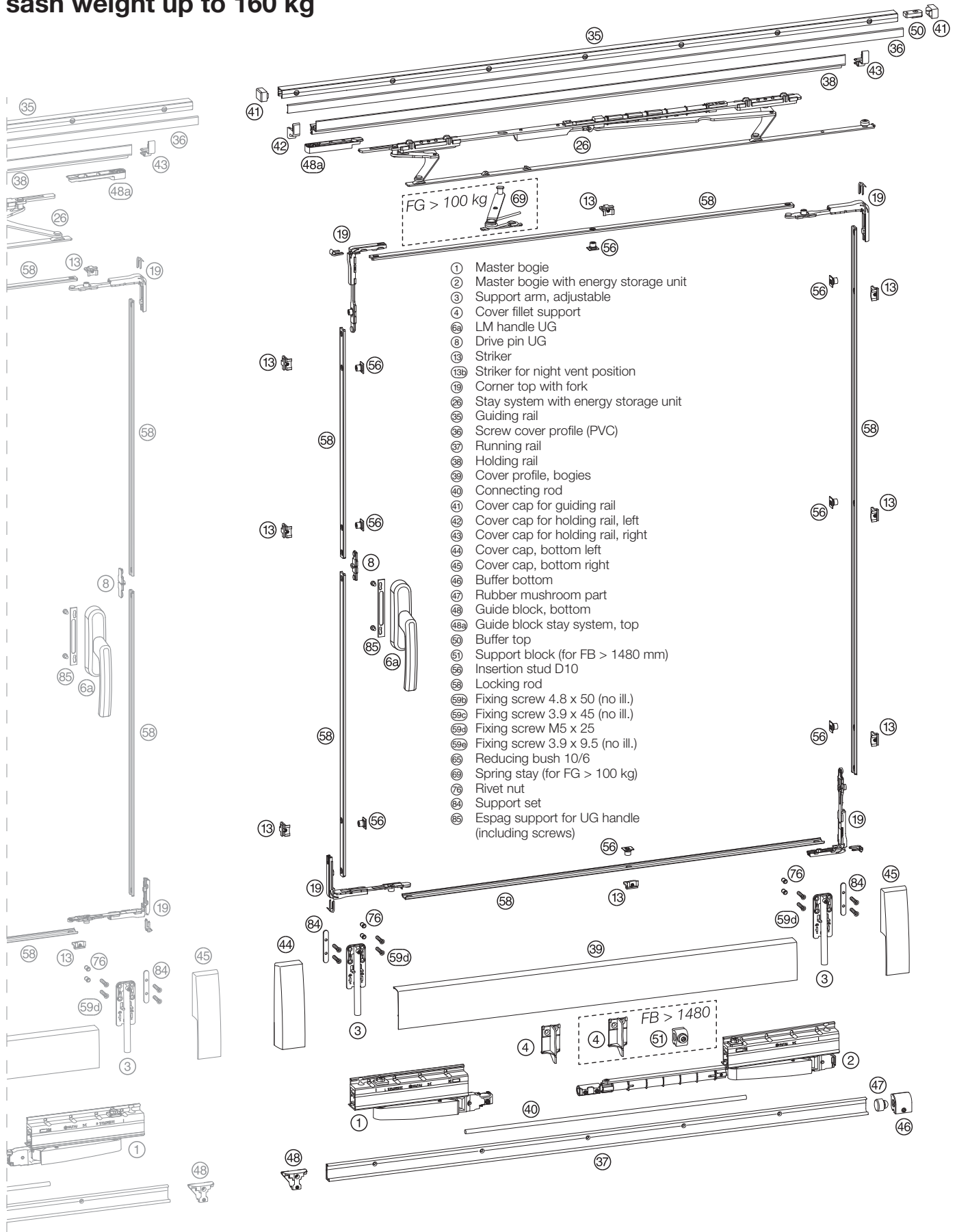
ATRIUM Alu-SP® komfort

Locking system D10, without night ventilation, sash weight up to 160 kg

160 kg

D10

🔒



- ① Master bogie
- ② Master bogie with energy storage unit
- ③ Support arm, adjustable
- ④ Cover fillet support
- ⑥ LM handle UG
- ⑧ Drive pin UG
- ⑬ Striker
- ⑬ Striker for night vent position
- ⑰ Corner top with fork
- ⑲ Stay system with energy storage unit
- ⑳ Guiding rail
- ㉓ Screw cover profile (PVC)
- ㉔ Running rail
- ㉕ Holding rail
- ㉖ Cover profile, bogies
- ㉗ Connecting rod
- ㉘ Cover cap for guiding rail
- ㉙ Cover cap for holding rail, left
- ㉚ Cover cap for holding rail, right
- ㉛ Cover cap, bottom left
- ㉜ Cover cap, bottom right
- ㉝ Buffer bottom
- ㉞ Rubber mushroom part
- ㉟ Guide block, bottom
- ㊱ Guide block stay system, top
- ㊲ Buffer top
- ㊳ Support block (for FB > 1480 mm)
- ㊴ Insertion stud D10
- ㊵ Locking rod
- ㊶ Fixing screw 4.8 x 50 (no ill.)
- ㊷ Fixing screw 3.9 x 45 (no ill.)
- ㊸ Fixing screw M5 x 25
- ㊹ Fixing screw 3.9 x 9.5 (no ill.)
- ㊺ Reducing bush 10/6
- ㊻ Spring stay (for FG > 100 kg)
- ㊼ Rivet nut
- ㊽ Support set
- ㊾ Espag support for UG handle (including screws)

ATRIUM Alu-SP® komfort

Locking system D10, without night ventilation, sash weight up to 160 kg



Units for scheme

A	G	K	C	Item name	Item code						
1	1	2	2	BZ locking system Alu-SP D10 ⑧ ⑱ ⑥③ ⑥⑤	left/right		241108				
1	1	1 L	1 L	Carton bogies FG 160 kg ① ② ④ ⑤⑨ ⑥④	left		231231				
		1 R	1 R		right		231234				
1	1	1 L	1 L	BZ spring stay ¹⁾ ⑥⑨	left		240361				
		1 R	1 R		right		240364				
1	1	2	2	Caps bogies, large + support arms ③ ④④ ④⑤ ⑤⑨ ⑦⑥	silver 230521	white 230527	black 230524	brown 240418	blank 230518		
1	1	2	2	BZ striker set, insertion studs D10 OSL ⑬ ⑤⑥	V.01 ⁴⁾ 232801		V.02 ⁴⁾ 232807				
1	1	2	2	Rail set ③⑤ ③⑥ ③⑦ ③⑧ ③⑨ ④① ④② ④③ ④④ ④⑤ ④⑥ ④⑦ ④⑧ ⑤① ⑤② ⑤③ ⑤④	FB	RAB	silver	white	black	brown	blank
					790 – 930	1930	230536	230539	230530	238819	230533
					931 – 1080	2230	230548	230551	230542	238822	230545
					1081 – 1280	2630	230560	230563	230554	238825	230557
					1281 – 1480	3030	230572	230575	230566	238828	230569
1481 – 1680	3430	230584	230587	230578	238831	230581					
1	1	1 L	1 L	Stay system set ②⑥ ④⑧⑨	FB	GR			left	right	
		1 R	1 R		790 – 930	900			233074	233065	
					931 – 1280	1250			233077	233068	
					1281 – 1680	1650			233080	233071	
1	1	2	2	LM handle UG ⑥②					see p. 44/45		
1	1	2	2	Espag for EG (no ill.)					see p. 42/43		

¹⁾ Spring stay required for sash weights of 100 kg or more; applies to range of application FB > 930 mm

⁴⁾ V.01 = Frame groove width 12-14 mm / V.02 = Frame groove width 9,7-11,5 mm

Item name	Item code					
Rail Set 7 ** ③⑤② ③⑥ ③⑦② ③⑧ ③⑨ ④① ④② ④③ ④④ ④⑤ ④⑥ ④⑦ ④⑧ ⑤① ⑤② ⑤③ ⑤④ FB >1480 additionally: ⑤①	FB	RAB	silver	white	black	blank
	790 - 930	1930	244549	244561	244567	244603
	931 - 1080	2230	244552	244534	244570	244606
	1081 - 1280	2630	244555	244537	244573	244609
	1281 - 1480	3030	244558	244540	244576	244612
1481 - 1680	3430	244561	244543	244579	244615	

** The rail set 7 can be used if the fitting is > 10 mm or (profile-related) see online profile overview

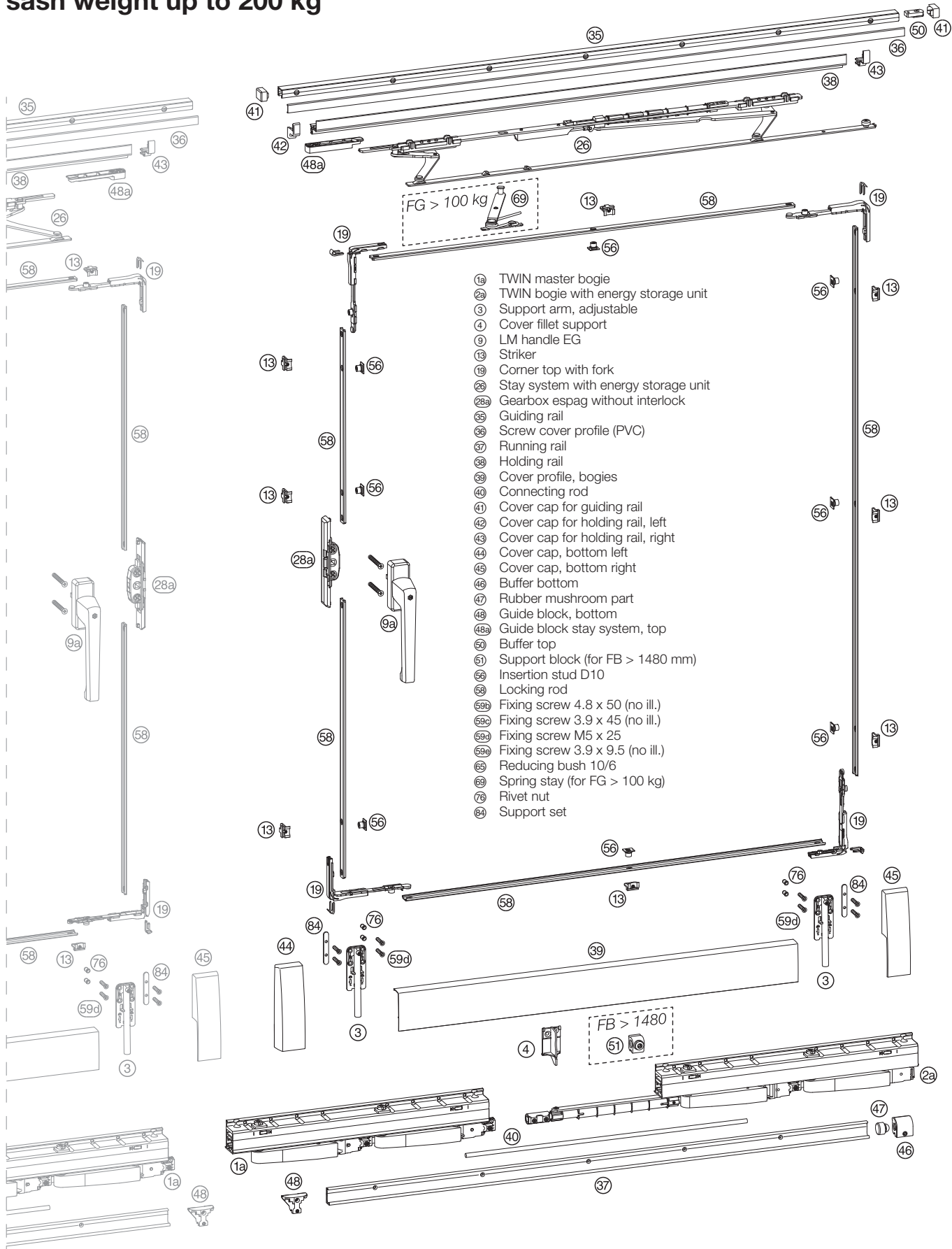
ATRIUM Alu-SP® komfort TWIN

200
kg

D10

🔒

Locking system D10, without night ventilation,
sash weight up to 200 kg



ATRIUM Alu-SP® komfort TWIN

Locking system D10, without night ventilation, sash weight up to 200 kg



Units for scheme

A	G	K	C	Item name	Item code						
1	1	2	2	BZ locking system Alu-SP D10 ⑧ ⑱ ⑥③			left/right	241108			
1	1	1 L	1 L	Carton TWIN bogies FG 200 kg ① ② ④ ⑤⑨ ⑧④			left	241114			
		1 R	1 R				right	241117			
1	1	1 L	1 L	BZ spring stay ¹⁾ ⑥⑨			left	240361			
		1 R	1 R				right	240364			
1	1	2	2	Caps bogies, large + support arms ③ ④④ ④⑤ ⑤⑨⑩ ⑦⑥	silver	white	black	brown	blank		
					230521	230527	230524	240418	230518		
1	1	2	2	BZ striker set, insertion studs D10 OSL ⑬ ⑤⑥			V.01 ⁴⁾	V.02 ⁴⁾			
					232801			232807			
1	1	2	2	Rail set ③⑤ ③⑥ ③⑦ ③⑧ ③⑨ ④⑩ ④⑪ ④⑫ ④⑬ ④⑭ ④⑮ ④⑯ ④⑰ ④⑱ ④⑲⑰ ④⑲⑱ also for FB >1480: ⑤⑴	FB	RAB	silver	white	black	brown	blank
					1281 – 1480	3030	230572	230575	230566	238828	230569
					1481 – 1680	3430	230584	230587	230578	238831	230581
					1681 – 2000	4130	230596	230599	230590	238834	230593
1	1	1 L	1 L	Stay system set ②⑥ ④⑧②	FB	GR			left	right	
					1281 – 1680	1650			233080	233071	
					1681 – 2000	2000			241120	241123	
1	1	2	2	LM handle 160 EG ³⁾ ⑨			EV1	white	black	brown	
					136634	136640	136643	176808			
1	1	2	2	Gearbox espag without gearshift lock D10 ②⑧②						241099	

for additional handle and gear designs, see pages 42-45

¹⁾ Spring stay required for sash weights of 100 kg or more; applies to range of application FB > 930 mm

³⁾ The TWIN design supporting sash weights of up to 200 kg may only be used with gearbox espag and LM handle 160

⁴⁾ V.01 = Frame groove width 12-14 mm / V.02 = Frame groove width 9,7-11,5 mm

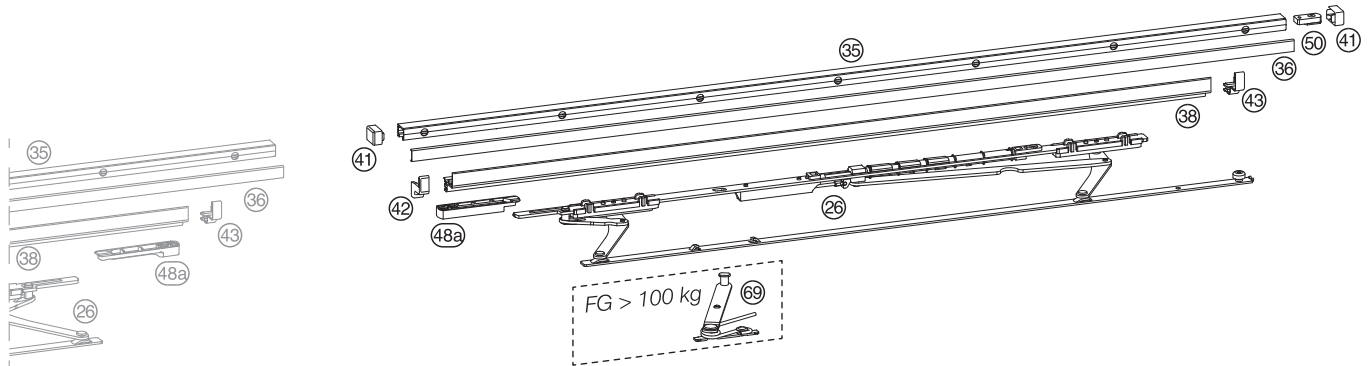
Item name	Item code					
	FB	RAB	silver	white	black	blank
Rail Set 7 **	1281 - 1480	3030	244558	244540	244576	244612
③⑤⑥ ③⑦⑧ ③⑧ ③⑨ ④⑩ ④⑪ ④⑫ ④⑬ ④⑭ ④⑮ ④⑯ ④⑰ ④⑱ ④⑲⑰ ④⑲⑱	1481 - 1680	3430	244561	244543	244579	244615
FB >1480 additionally: ⑤⑴	1681 - 2000	4130	244564	244546	244582	244618

** The rail set 7 can be used if the fitting is > 10 mm or (profile-related) see online profile overview

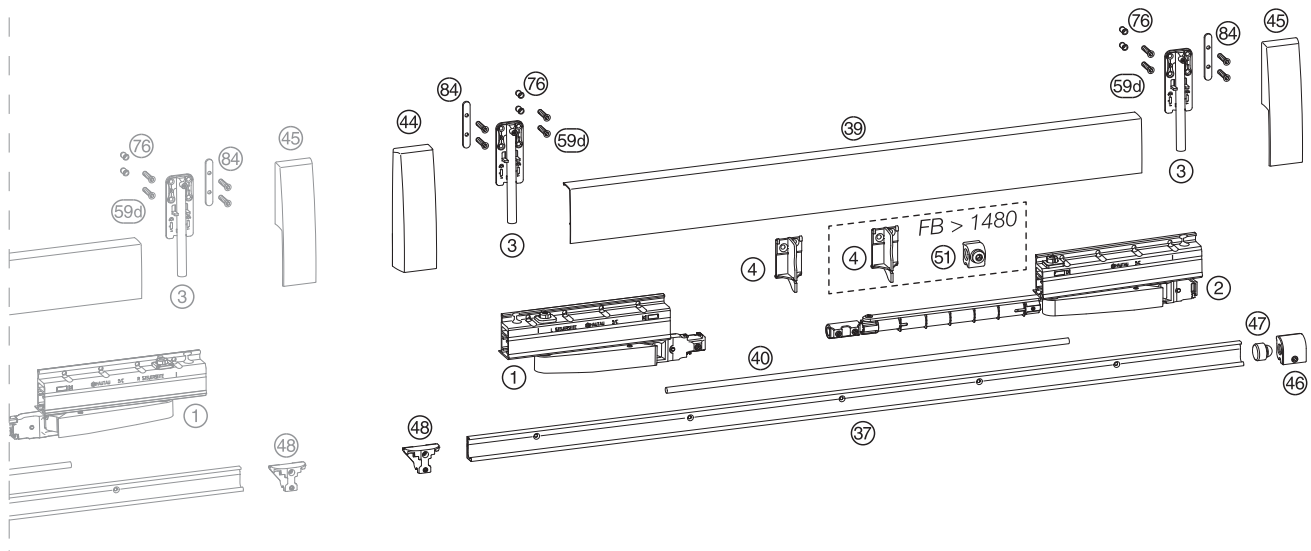
ATRIUM Alu-SP® komfort

without locking system, sash weight up to 160 kg

160 kg



- ① Master bogie
- ② Master bogie with energy storage unit
- ③ Support arm, adjustable
- ④ Cover fillet support
- ⑤ Stay system with energy storage unit
- ⑥ Guiding rail
- ⑦ Screw cover profile (PVC)
- ⑧ Running rail
- ⑨ Holding rail
- ⑩ Cover profile, bogies
- ⑪ Connecting rod
- ⑫ Cover cap for guiding rail
- ⑬ Cover cap for holding rail, left
- ⑭ Cover cap for holding rail, right
- ⑮ Cover cap, bottom left
- ⑯ Cover cap, bottom right
- ⑰ Buffer bottom
- ⑱ Rubber mushroom part
- ⑲ Guide block, bottom
- ⑳ Guide block stay system, top
- ㉑ Buffer top
- ㉒ Support block (for FB > 1480 mm)
- ㉓ Fixing screw 4.8 x 50 (no ill.)
- ㉔ Fixing screw 3.9 x 45 (no ill.)
- ㉕ Fixing screw M5 x 25
- ㉖ Fixing screw 3.9 x 9.5 (no ill.)
- ㉗ Spring stay (for FG > 100 kg)
- ㉘ Rivet nut
- ㉙ Support set



ATRIUM Alu-SP® komfort

without locking system, sash weight up to 160 kg

160 kg

Units for scheme

A	G	K	C	Item name	Item code						
1	1	1 L 1 R	1 L 1 R	Carton bogies FG 160 kg ① ② ④ ⑤⑥ ⑧④					left	231231	
									right	231234	
1	1	1 L 1 R	1 L 1 R	BZ spring stay ¹⁾ ⑥⑨					left	240361	
									right	240364	
1	1	2	2	Caps bogies, large + support arms ③ ④④ ④⑤ ⑤⑨⑩ ⑦⑥			silver 230521	white 230527	black 230524	brown 240418	blank 230518
1	1	2	2	Rail set	FB	RAB	silver	white	black	brown	blank
					790 – 930	1930	230536	230539	230530	238819	230533
					931 – 1080	2230	230548	230551	230542	238822	230545
				③⑤ ③⑥ ③⑦ ③⑧ ③⑨ ④① ④② ④③ ④④ ④⑤ ④⑥ ④⑦ ④⑧ ⑤① ⑤②③ ⑤④⑤	1081 – 1280	2630	230560	230563	230554	238825	230557
				also for FB >1480: ⑤①	1281 – 1480	3030	230572	230575	230566	238828	230569
					1481 – 1680	3430	230584	230587	230578	238831	230581
1	1	1 L 1 R	1 L 1 R	Stay system set ②⑥ ④⑧⑨	FB	GR				left	right
					790 – 930	900				233074	233065
					931 – 1280	1250				233077	233068
					1281 – 1680	1650				233080	233071

¹⁾ Spring stay required for sash weights of 100 kg or more; applies to range of application FB > 930 mm

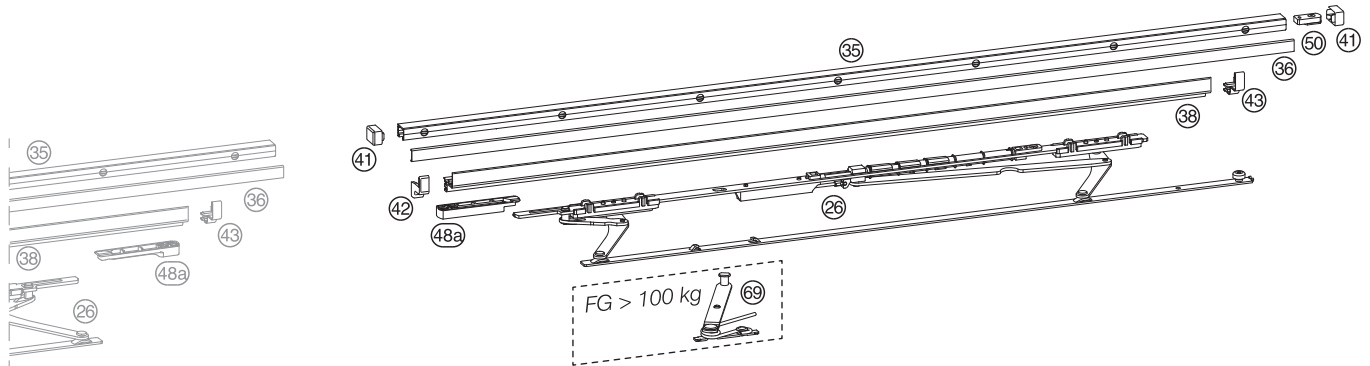
Item name	Item code					
Rail Set 7 **	FB	RAB	silver	white	black	blank
	790 - 930	1930	244549	244561	244567	244603
	931 - 1080	2230	244552	244534	244570	244606
③⑤⑥ ③⑦⑧ ③⑨ ④① ④② ④③ ④④ ④⑤ ④⑥ ④⑦ ④⑧ ⑤① ⑤②③ ⑤④⑤	1081 - 1280	2630	244555	244537	244573	244609
FB >1480 additionally: ⑤①	1281 - 1480	3030	244558	244540	244576	244612
	1481 - 1680	3430	244561	244543	244579	244615

** The rail set 7 can be used if the fitting is > 10 mm or (profile-related) see online profile overview

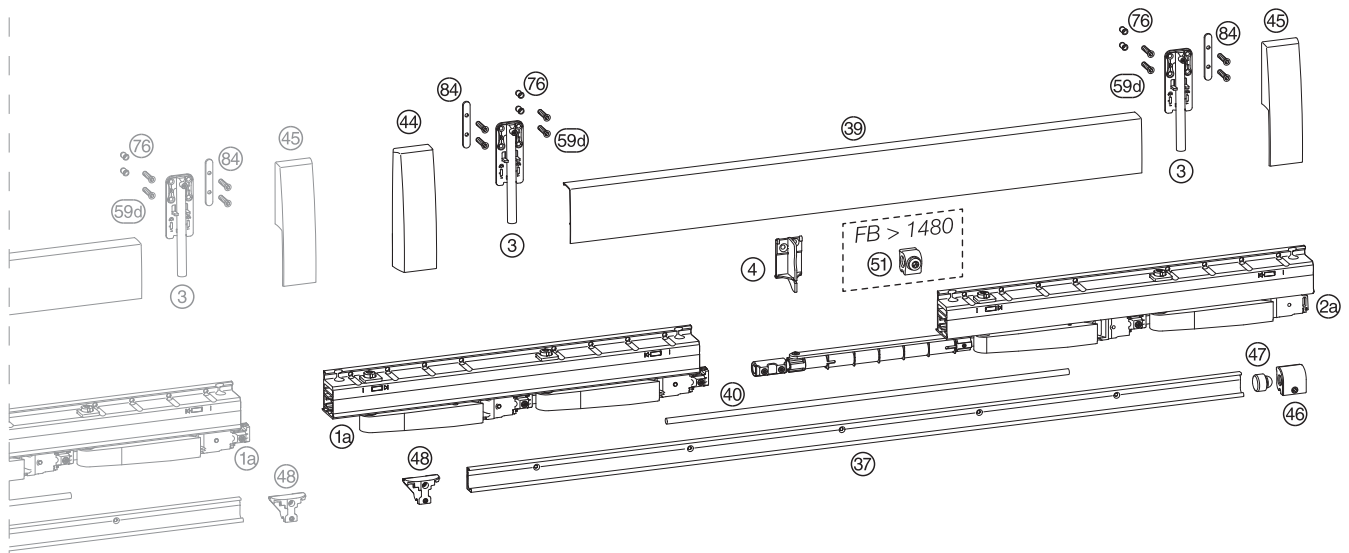
ATRIUM Alu-SP® komfort TWIN

without locking system, sash weight up to 200 kg

200 kg



- 1a TWIN master bogie
- 2a TWIN bogie with energy storage unit
- 3 Support arm, adjustable
- 4 Cover fillet support
- 26 Stay system with energy storage unit
- 35 Guiding rail
- 36 Screw cover profile (PVC)
- 37 Running rail
- 38 Holding rail
- 39 Cover profile, bogies
- 40 Connecting rod
- 41 Cover cap for guiding rail
- 42 Cover cap for holding rail, left
- 43 Cover cap for holding rail, right
- 44 Cover cap, bottom left
- 45 Cover cap, bottom right
- 46 Buffer bottom
- 47 Rubber mushroom part
- 48 Guide block, bottom
- 48a Guide block stay system, top
- 50 Buffer top
- 51 Support block (for FB > 1480 mm)
- 59a Fixing screw 4.8 x 50 (no ill.)
- 59c Fixing screw 3.9 x 45 (no ill.)
- 59d Fixing screw M5 x 25
- 59e Fixing screw 3.9 x 9.5 (no ill.)
- 69 Spring stay (for FG > 100 kg)
- 76 Rivet nut
- 84 Support set



ATRIUM Alu-SP® komfort

without locking system, sash weight up to 200 kg

200 kg

Units for scheme

A	G	K	C	Item name	Item code						
1	1	1 L 1 R	1 L 1 R	Carton TWIN bogies FG 200 kg ① ② ④ ⑤b ⑧					left right	241114 241117	
1	1	1 L 1 R	1 L 1 R	BZ spring stay ¹⁾ ⑨					left right	240361 240364	
1	1	2	2	Caps bogies, large + support arms ③ ④④ ④⑤ ⑤9a ⑦⑥			silver 230521	white 230527	black 230524	brown 240418	blank 230518
1	1	2	2	Rail set ③⑤ ③⑥ ③⑦ ③⑧ ③⑨ ④① ④② ④③ ④④ ④⑤ ④⑥ ④⑦ ④⑧ ⑤① ⑤②c ⑤②e also for FB >1480: ⑤①	FB 1281 – 1480 1481 – 1680 1681 – 2000	RAB 3030 3430 4130	silver 230572 230584 230596	white 230575 230587 230599	black 230566 230578 230590	brown 238828 238831 238834	blank 230569 230581 230593
1	1	1 L 1 R	1 L 1 R	Stay system set ②⑥ ④8a	FB 1281 – 1680 1681 – 2000	GR 1650 2000			left 233080 241120	right 233071 241123	

¹⁾ Spring stay required for sash weights of 100 kg or more; applies to range of application FB > 930 mm

Item name	Item code					
	FB	RAB	silver	white	black	blank
Rail Set 7 **	1281 - 1480	3030	244558	244540	244576	244612
③5a ③⑥ ③7a ③⑧ ③⑨ ④① ④② ④③ ④④ ④⑤ ④⑥ ④⑦ ④⑧ ⑤① ⑤②c ⑤②e	1481 - 1680	3430	244561	244543	244579	244615
FB >1480 additionally: ⑤①	1681 - 2000	4130	244564	244546	244582	244618

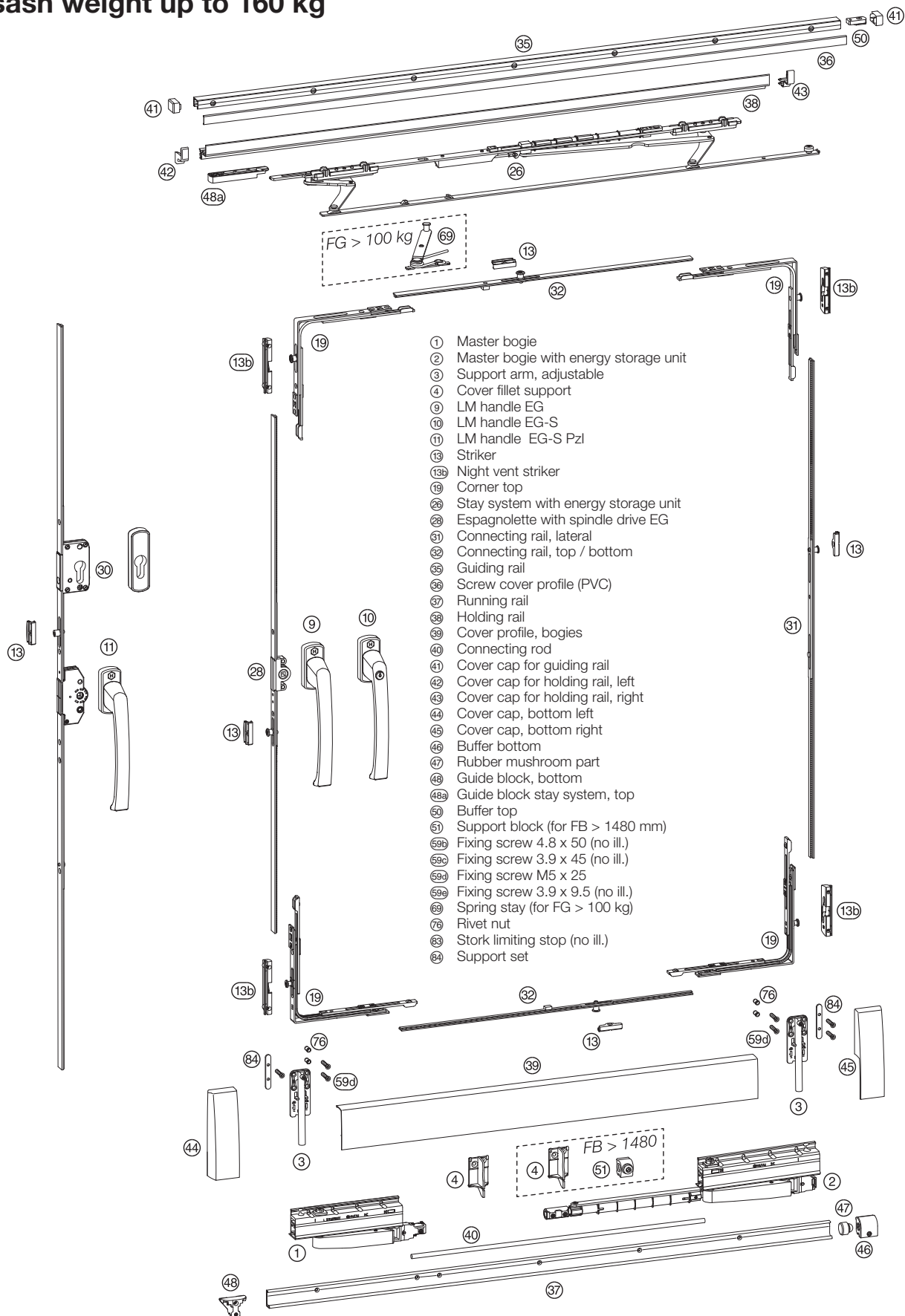
** The rail set 7 can be used if the fitting is > 10 mm or (profile-related) see online profile overview

ATRIUM Alu-SP® komfort

for aluminium systems, with KS groove (16/12)
sash weight up to 160 kg

160 kg

16 / 12



- ① Master bogie
- ② Master bogie with energy storage unit
- ③ Support arm, adjustable
- ④ Cover fillet support
- ⑨ LM handle EG
- ⑩ LM handle EG-S
- ⑪ LM handle EG-S Pzl
- ⑬ Striker
- ⑬b Night vent striker
- ⑰ Corner top
- ⑲ Stay system with energy storage unit
- ⑳ Espagnolette with spindle drive EG
- ㉑ Connecting rail, lateral
- ㉒ Connecting rail, top / bottom
- ㉓ Guiding rail
- ㉔ Screw cover profile (PVC)
- ㉕ Running rail
- ㉖ Holding rail
- ㉗ Cover profile, bogies
- ㉘ Connecting rod
- ㉙ Cover cap for guiding rail
- ㉚ Cover cap for holding rail, left
- ㉛ Cover cap for holding rail, right
- ㉜ Cover cap, bottom left
- ㉝ Cover cap, bottom right
- ㉞ Buffer bottom
- ㉟ Rubber mushroom part
- ㊱ Guide block, bottom
- ㊱a Guide block stay system, top
- ㊱b Buffer top
- ㊱c Support block (for FB > 1480 mm)
- ㊱d Fixing screw 4.8 x 50 (no ill.)
- ㊱e Fixing screw 3.9 x 45 (no ill.)
- ㊱f Fixing screw M5 x 25
- ㊱g Fixing screw 3.9 x 9.5 (no ill.)
- ㊱h Spring stay (for FG > 100 kg)
- ㊱i Rivet nut
- ㊱j Stork limiting stop (no ill.)
- ㊱k Support set

ATRIUM Alu-SP® komfort

for aluminium systems, with KS groove (16/12)
sash weight up to 160 kg



Units for scheme

A	G	K	C	Item name	Item code									
1	1	1 le 1 ri	1 le 1 ri	Carton bogies FG 160 kg ① ② ④ 59b 76 84	left	231231	right	231234						
1	1	2	1 le 1 ri	BZ spring stay ¹⁾ 69	left	240361	right	240364						
1	1	2	2	Caps bogies, large + support arms ③ ④④ ④⑤ 59g 76	silver	230521	white	230527	black	230524	brown	240418	blank	230518
1	1	2	1	BZ night vent striker ⑬ ⑬b	(profile-related) see online profile overview									
				locking plate for additional locking points ⑬	(profile-related) see online profile overview									
		1	1	Stork limiting stop 83 (no ill.)	238250									
1	1	2	2	Rail set Also for FB >1480 51	FB	RAB	silver	white	black	brown	blank			
					790 - 930	1930	230536	230539	230530	238819	230533			
					931 - 1080	2230	230548	230551	230542	238822	230545			
					1081 - 1280	2630	230560	230563	230554	238825	230557			
					1281 - 1480	3030	230572	230575	230566	238828	230569			
					1481 - 1680	3430	230584	230587	230578	238831	230581			
1	1	1 le 1 ri	1 le 1 ri	Stay system set 26 48a	FB	GR				left	right			
					790 - 900	900				233074	233065			
					901 - 1280	1250				233077	233068			
					1281 - 1680	1650				233080	233071			
1	1	2	2	LM handle 161 EG 9 LM handle 161 EG-S 10 LM handle 161 EG Pzl 11			EV1	white	black	brown				
							206206	206209	206212	207361				
							206215	206218	206221	207367				
							206224	206227	206230	207364				
1	1	2	2	Vertical locking , Gearbox espage, D 15 23 31	FH	Handle pos.				PU 1 set	PU 5 sets			
					680 - 1130	center				214014	214002			
					1131 - 1480	center				214017	214002			
					1481 - 1930	center				235192	235195			
					1931 - 2380	center				214023	214011			
1	1	2	2	Horizontal locking 32	FB	GR				PU 1 set	PU 5 sets			
					780 - 930	900				235174	235183			
					931 - 1280	1250				235177	235186			
					1281 - 1680	1650				235180	235189			
1	1	2	2	Carton of corner axis 9 19						PU 1 set	PU 5 sets			
										241737	241798			

for additional handle and gear designs, see catalogue ATRIUM SP® komfort pages 38/39 and 42/43

¹⁾ Spring stay required for sash weights of 100 kg or more; applies to range of application FB > 930 mm

²⁾ Note concerning Scheme C: The inactive sash is not equipped for night ventilation

Item name	Item code					
Rail Set 7 **	FB	RAB	silver	white	black	blank
	790 - 930	1930	244549	244561	244567	244603
③⑤⑥ ③⑥ ③⑦a ③⑧ ③⑨ ④① ④② ④③ ④④ ④⑤ ④⑥ ④⑦ ④⑧ ⑤① ⑤②c ⑤③e	931 - 1080	2230	244552	244534	244570	244606
FB >1480 additionally: ⑤1	1081 - 1280	2630	244555	244537	244573	244609
	1281 - 1480	3030	244558	244540	244576	244612
	1481 - 1680	3430	244561	244543	244579	244615

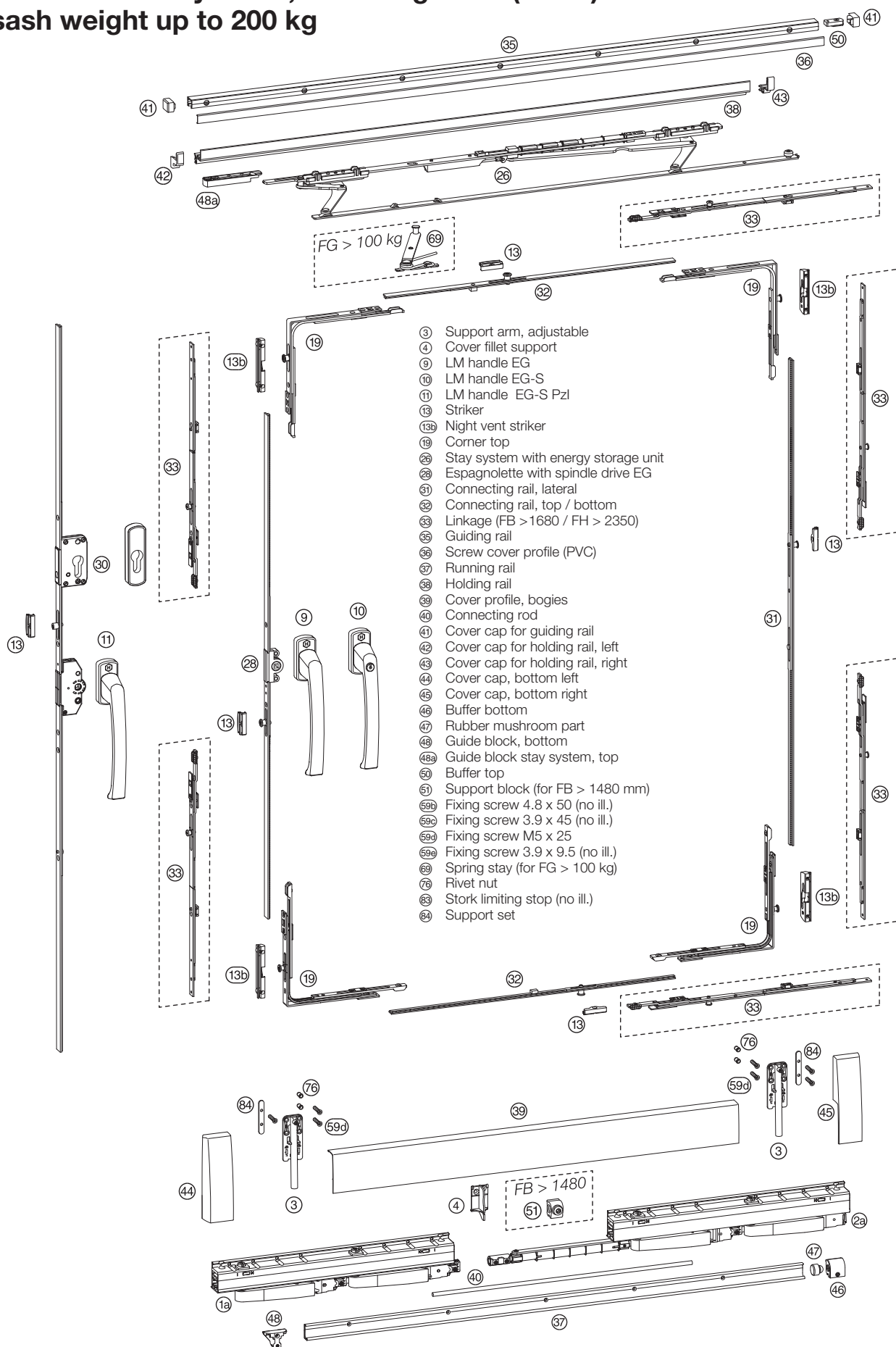
** The rail set 7 can be used if the fitting is > 10 mm or (profile-related) see online profile overview

ATRIUM Alu-SP® komfort TWIN

for aluminium systems, with KS groove (16/12)
sash weight up to 200 kg

200
kg

16
12



- ③ Support arm, adjustable
- ④ Cover fillet support
- ⑨ LM handle EG
- ⑩ LM handle EG-S
- ⑪ LM handle EG-S Pzl
- ⑬ Striker
- ⑬b Night vent striker
- ⑲ Corner top
- ⑳ Stay system with energy storage unit
- ㉔ Espagnolette with spindle drive EG
- ㉕ Connecting rail, lateral
- ㉖ Connecting rail, top / bottom
- ㉗ Linkage (FB > 1680 / FH > 2350)
- ㉘ Guiding rail
- ㉙ Screw cover profile (PVC)
- ㉚ Running rail
- ㉛ Holding rail
- ㉜ Cover profile, bogies
- ㉝ Connecting rod
- ㉞ Cover cap for guiding rail
- ㉟ Cover cap for holding rail, left
- ㊱ Cover cap for holding rail, right
- ㊲ Cover cap, bottom left
- ㊳ Cover cap, bottom right
- ㊴ Buffer bottom
- ㊵ Rubber mushroom part
- ㊶ Guide block, bottom
- ㊷ Guide block stay system, top
- ㊸ Buffer top
- ㊹ Support block (for FB > 1480 mm)
- ㊺a Fixing screw 4.8 x 50 (no ill.)
- ㊺b Fixing screw 3.9 x 45 (no ill.)
- ㊺c Fixing screw M5 x 25
- ㊺d Fixing screw 3.9 x 9.5 (no ill.)
- ㊻ Spring stay (for FG > 100 kg)
- ㊼ Rivet nut
- ㊽ Stork limiting stop (no ill.)
- ㊾ Support set

ATRIUM Alu-SP® komfort TWIN

for aluminium systems, with KS groove (16/12)
sash weight up to 200 kg



Units for scheme

A	G	K	C	Item name	Item code									
1	1	2	1 le 1 ri	Carton TWIN bogies FG 200 kg 19 29 4 59b 76 84					left	241114	right	241117		
1	1	2	1 le 1 ri	BZ spring stay ¹⁾ 69					left	240361	right	240364		
1	1	2	2	Caps bogies, large + support arms 3 44 45 59g 76	silver	white	black	brown	blank	230521	230527	230524	240418	230518
1	1	2	2	BZ night vent striker 13 13b	(profile-related) see online profile overview									
				locking plate for additional locking points 13	(profile-related) see online profile overview									
		1	1	Stork limiting stop 83 (no ill.)	238250									
1	1	2	2	Rail set 35 36 37 38 39 40 41 42 43 46 47 48 50 59c 59e Also for FB >1480 51	FB	RAB	silver	white	black	brown	blank			
					1081 - 1280	2630	230560	230563	230554	238825	230557			
					1281 - 1480	3030	230572	230575	230566	238828	230569			
					1481 - 1680	3430	230584	230587	230578	238831	230581			
				1681 - 2000	4130	230596	230599	230590	238834	230593				
1	1	1 le 1 ri	1 le 1 ri	Stay system set 26 48a	FB	GR					left	right		
					1281 - 1680	1650					233080	233071		
					1681 - 2000	2000					241120	241123		
1	1	2	2	LM handle 161 EG 9 LM handle 161 EG-S 10 LM handle 161 EG Pzl 11			EV1	white	black	brown				
							206206	206209	206212	207361				
							206215	206218	206221	207367				
		206224	206227	206230	207364									
1	1	2	2	Vertical locking, Gearbox espagne, D 15 29 31	FH	Handle pos.					PU 1 set	PU 5 sets		
					680 - 1130	center					214014	214002		
					1131 - 1480	center					214017	214002		
					1481 - 1930	center					235192	235195		
					1931 - 2380	center					214023	214011		
		2381 - 2700	center					214023*	214011*					
* in addition, 4 x set linkage 400 mm 83 (Item-Code 207705) and matching striker (profile related) are required														
1	1	2	2	Horizontal locking 32	FB	GR					PU 1 set	PU 5 sets		
					1281 - 1680	1650					235180	235189		
					1681 - 2000	1650					235180*	235189*		
* in addition, 2 x set linkage 400 mm 83 (Item-Code 207705) and matching striker (profile related) are required														
1	1	2	2	Carton of corner axis 9 19					PU 1 set	PU 5 sets				
								241737	241798					

for additional handle and gear designs, see catalogue ATRIUM SP® komfort pages 38/39 and 42/43

¹⁾ Spring stay required for sash weights of 100 kg or more; applies to range of application FB > 930 mm

²⁾ Note concerning Scheme C: The inactive sash is not equipped for night ventilation

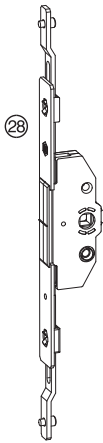
Item name	Item code					
	FB	RAB	silver	white	black	blank
Rail Set 7 **						
35a 36 37a 38 39 40 41 42 43 46 47 48 50 59c 59e	1081 - 1280	2630	244555	244537	244573	244609
	1281 - 1480	3030	244558	244540	244576	244612
FB >1480 additionally: 51	1481 - 1680	3430	244561	244543	244579	244615
	1681 - 2000	4130	244564	244546	244582	244618

** The rail set 7 can be used if the fitting is > 10 mm or (profile-related) see online profile overview

Gear types ATRIUM Alu-SP® komfort

Combined with an EG handle

EG

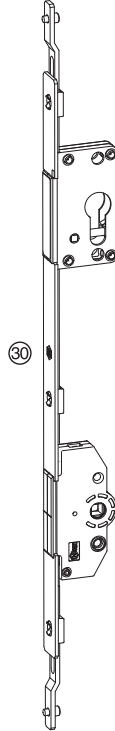


D 22,5
27,5
32,5
37,5

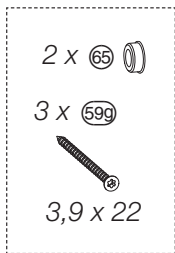


D 5,5

EG-Pz



D 27,5
32,5
37,5



BZ espag EG

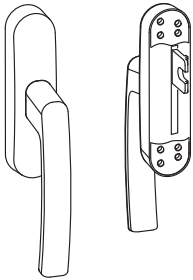
- 28 Espag EG
- 28a Espag EG without gearshift lock D10 (D6)
- 30 Espag EG, lockable
- 59g Fixing screw 3.9 x 22
- 65 Reducing bush 10/6

www.HAUTAU.de

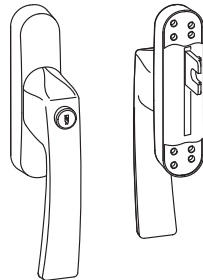
Gear types ATRIUM Alu-SP® komfort Combined with an EG handle

Item name	Backset	Item code
Gearbox espag EG 28	D 22.5	161167
	D 27.5	175392
	D 32.5	176331
	D 37.5	176334
Gearbox espag without gearshift lock 28a	D10	241099
	D6	241102
Gearbox espag EG-Pz, lockable 30	D 27.5	148420
	D 32.5	156524
	D 37.5	148423
BZ espag EG 65 699 required		221882
BZ reducing bushes (10x) optional 65		232732

Handles



⑥a HAUTAU design handle
UG



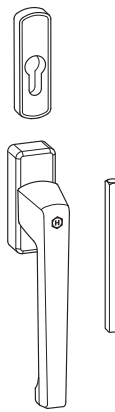
⑥b HAUTAU-design handle
UG-S



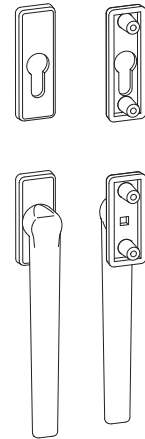
⑨ HAUTAU-design handle
160 EG



⑩ HAUTAU-design handle
160 EG-S

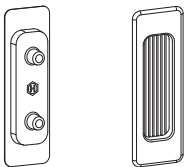


⑪ HAUTAU-design handle
160 EG-Pzl



⑫ HAUTAU-design handle
160 EG-PzA

Range of application:
max. sash profile depth
FT: 90 mm



⑦ External finger grip

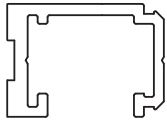
www.HAUTAU.de

Handles

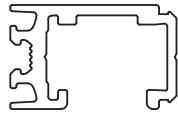
Item name		Item code				
LM handle HAUTAU design including gear with fork drive	UG ⑥a	blank	silver	white	black	brown
	UG-S ⑥b	178093	192478	192484	192481	192487
LM handle HAUTAU design for gearbox espags	160 EG ⑨		EV1	white	black	brown
	160 EG-S ⑩		136634	136640	136643	176808
LM handle HAUTAU design for lockable gearbox espags	160 EG PzI ⑪		EV1	white	black	brown
	160 EG PzA ⑫		138062	138068	138071	176814
External finger grip			silver	white		
			223551	223548		

Profiles in stock lengths / accessories

Strikers



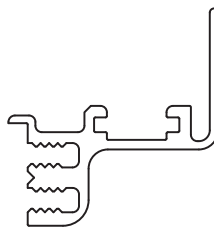
35 Guiding rail



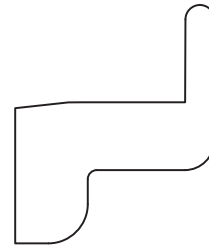
35a Guiding rail 7



36 Screw cover profile (PVC)



38 Holding rail 14



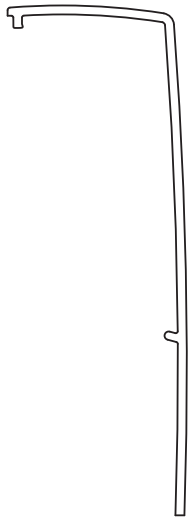
42/43 Cover cap, holding rail 14 (left / right)



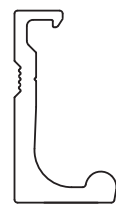
40 Connecting rod



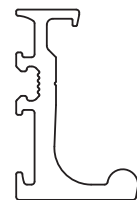
56 Locking rod



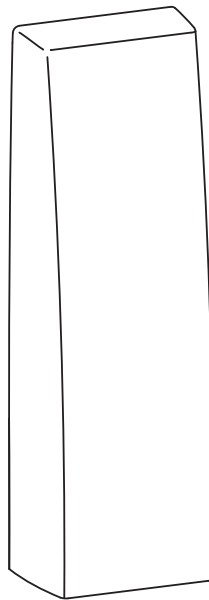
39 Cover profile (aluminium)



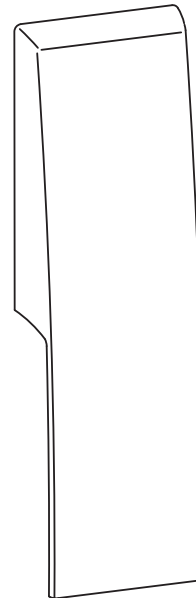
37a Running rail



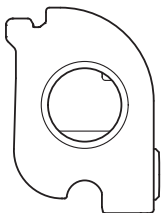
35a Running rail 7



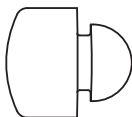
44 Cover cap, bottom left



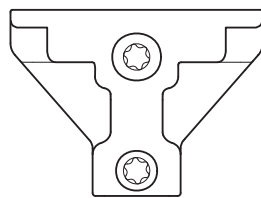
45 Cover cap, bottom right



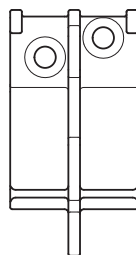
46 Buffer bottom



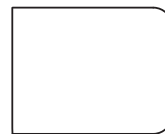
47 Rubber mushroom part



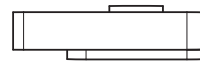
48 Guide block



49 Cover fillet support



41 Cover cap, guiding rail



50 Buffer top



51 Support block



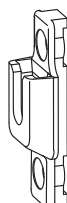
56 Insertion stud D10



13 Striker V.01/V.02



57 SH strikers



70 SH strikers

Profiles in stock lengths/accessories

Item name		Item code				
Guiding rail 35	L 6070 mm					EV 1 113066
Guiding rail 7 35a	L 6070 mm					EV 1 243286
Screw cover profile 36	L 6080 mm		grey 224346	white 127046	black 175515	
Running rail 5.2 37	L 6070 mm		EV 1 301354	C35 301357	C34 301356	
Running rail 7.2 37a	L 6070 mm			EV 1 301834	black 301835	
Holding rail 38	L 5220 mm	silver 234656	white 234650	black 234662	brown 235786	blank 234644
Cover profile, bogies 39	L 5220 mm	silver 232423	white 232429	black 232426	brown 238695	blank 232432
Connecting rod D10 40	L 3600 mm					110387
BZ rail set 41 42 43 46 47 48 50 59c 59e		silver 230611	white 230614	black 230617	brown 238816	blank 230611
BZ caps, bogies 44 45		silver 228715	white 228721	black 228718	brown 240235	blank -
Locking rod 58	L 6000 mm					190294

Strikers

Item name	Item code	
	Groove V.01	Groove V.02
BZ locking parts with insertion studs D10 , size 10 PU (10 pairs) 13 56 for optional closing positions as specified in the note below	232801	232807
BZ SH locking parts , size 8 PU (8 pairs) 57 70	241126	241129

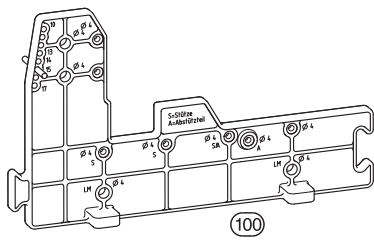
Note:

FB > 1480 mm requires 2 additional closing positions

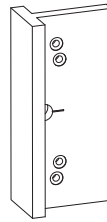
FH > 2180 mm requires 2 additional closing positions

The number of required SH strikers is profile-specific

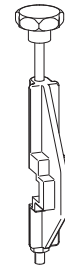
Montagehilfen



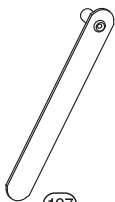
100



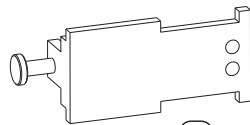
103



105



107



108



- 100 Jig for bogies, cover fillet supports, and support arms
- 103 Jig for gear with fork drive UG and UG-S
- 105 Screw jig for running rail and guiding rail
- 107 Drill centring device
- 108 Screw jig – guide block
- 122 Jig for stay system fixation

Mounting tools

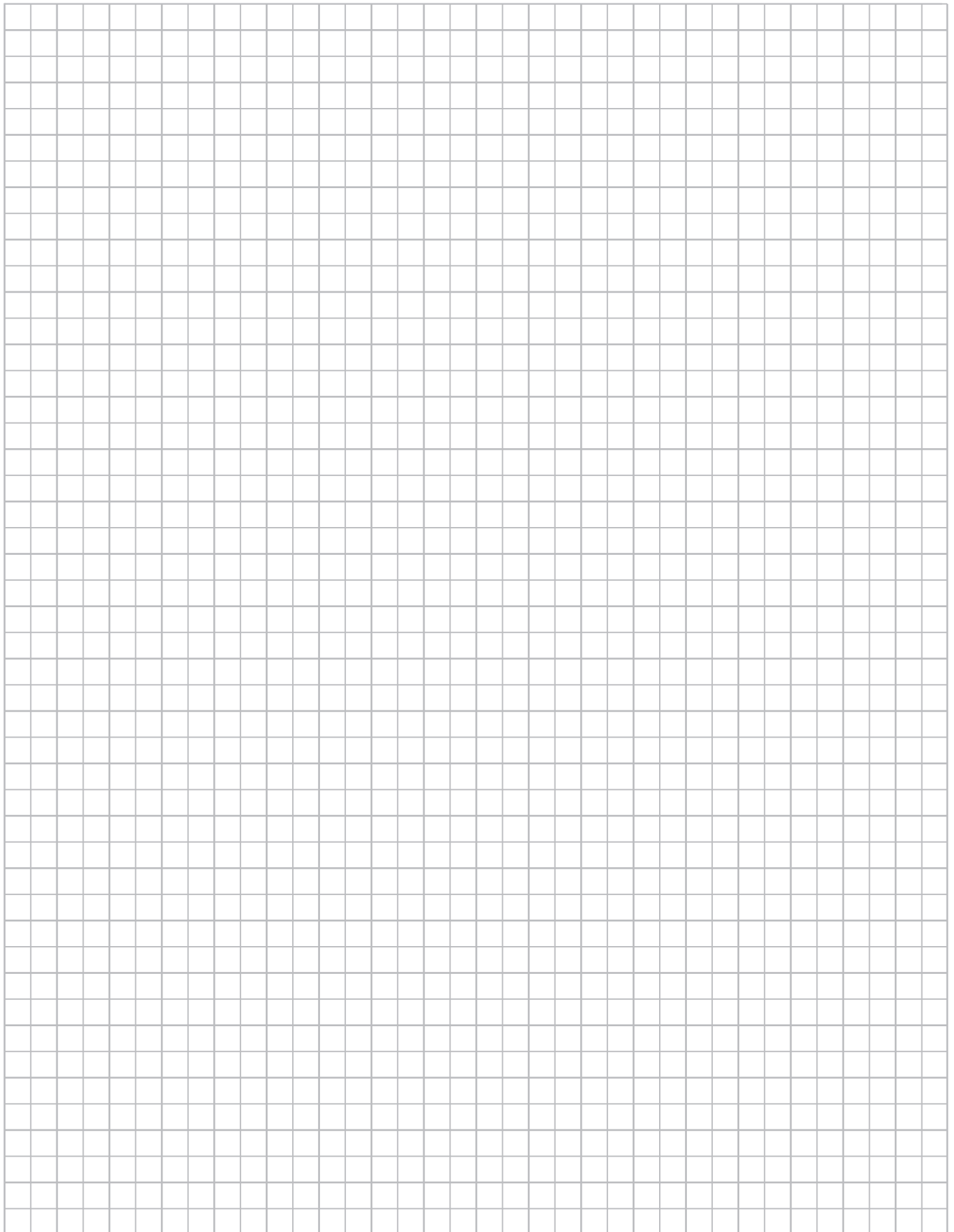
Item name	Item code
Jig for bogies, cover fillet supports, and support arms (100)	215277
Jig – handle UG (103)	173281
Screw jig- guiding rail/running rail (105)	215256
Drill centring device (107)	110747
Screw jig for guide block (108)	215301
Jig for stay system fixation (122)	243493

Documents - overview

Document	Language	Item code
Installation instructions ATRIUM Alu-SP® komfort, FH < 2180; FB < 1280	German	235864
	English	235867
Maintenance and operating manual	International	235870
Supplementary instructions ATRIUM Alu-SP® komfort without night ventilation	German	238931
	English	238934
Supplementary instructions ATRIUM Alu-SP® komfort Scheme C	German	238943
	English	238246
Supplementary instructions ATRIUM Alu-SP® komfort RC2	German	238943
	English	238946
Supplementary instructions ATRIUM Alu-SP® komfort TWIN (>160 kg) + FH > 2180; FB > 1280	German	24135
	English	241354
Supplementary instructions ATRIUM Alu-SP® komfort fixing with screws or rivet nuts	German/English	242455

www.HAUTAU.de

Notes





HAUTAU

OPENS NEW DIMENSIONS

MADE IN GERMANY

Experience, creativity and cutting-edge expertise – HAUTAU's specialist knowledge sets benchmarks worldwide, defining technical standards to create perfection in hardware systems and window automation.

Probably more than any other company, HAUTAU has dealt with all window opening types and operation systems. Over 400 patents, numerous utility models and a global market presence serve as a testament to HAUTAU's success.