

In Production	
Item NO.	FF5 C1 72X98, SQUARE, 4 LITES, NEW AQUATEX
Qty	1 set
Door Open	Right Hand Inswing
Screens	Yes <input type="checkbox"/> No <input checked="" type="checkbox"/>
Finish	Black
Glass	New Aquatex
Glass Panel	Operating <input type="checkbox"/>
	Fixed <input checked="" type="checkbox"/>



Handles	With No. W1 <input checked="" type="checkbox"/>
	Without <input type="checkbox"/>



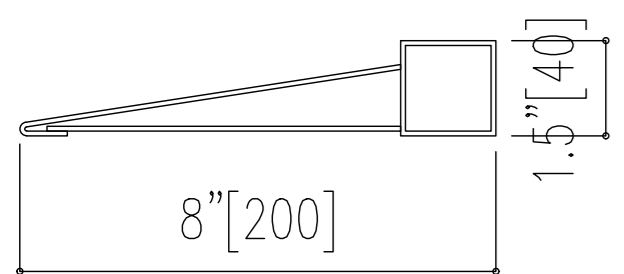
Lock Color	TBD
Lock Shape	TBD
Trim Type	TBD

LTD /Builder Use Only

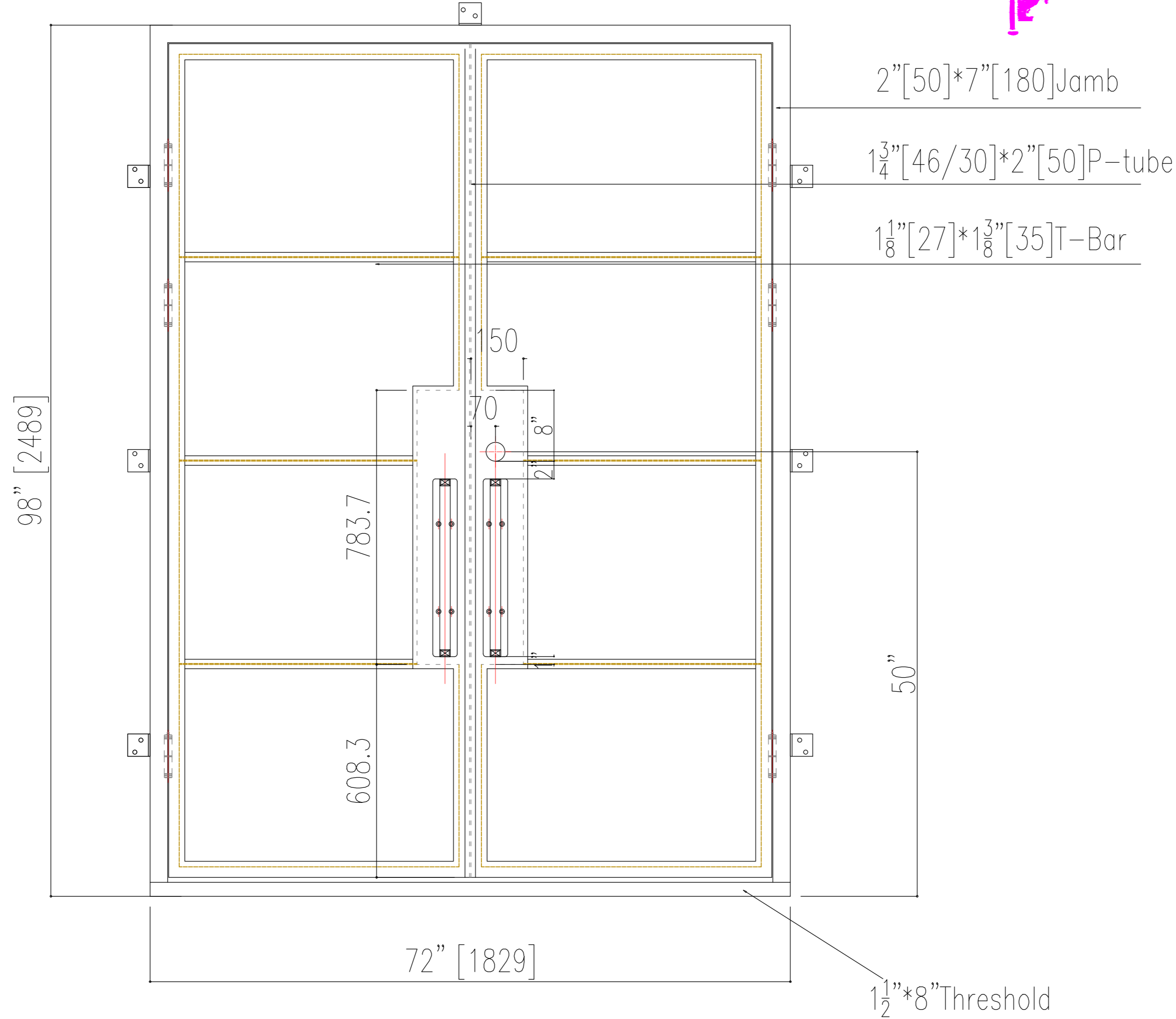
Measurement	Rough Measure <input type="checkbox"/>
	Final Measure <input checked="" type="checkbox"/>
Jamb 2"x7"	4" <input type="checkbox"/> 6" <input type="checkbox"/>
	8" <input type="checkbox"/> 12" <input type="checkbox"/>
Threshold 1.5"x8"	Yes <input checked="" type="checkbox"/>
	No <input type="checkbox"/>

Mounting	Tabs	<input checked="" type="checkbox"/>
	Holes	<input type="checkbox"/>
Install	Yes	<input checked="" type="checkbox"/>
	No	<input type="checkbox"/>

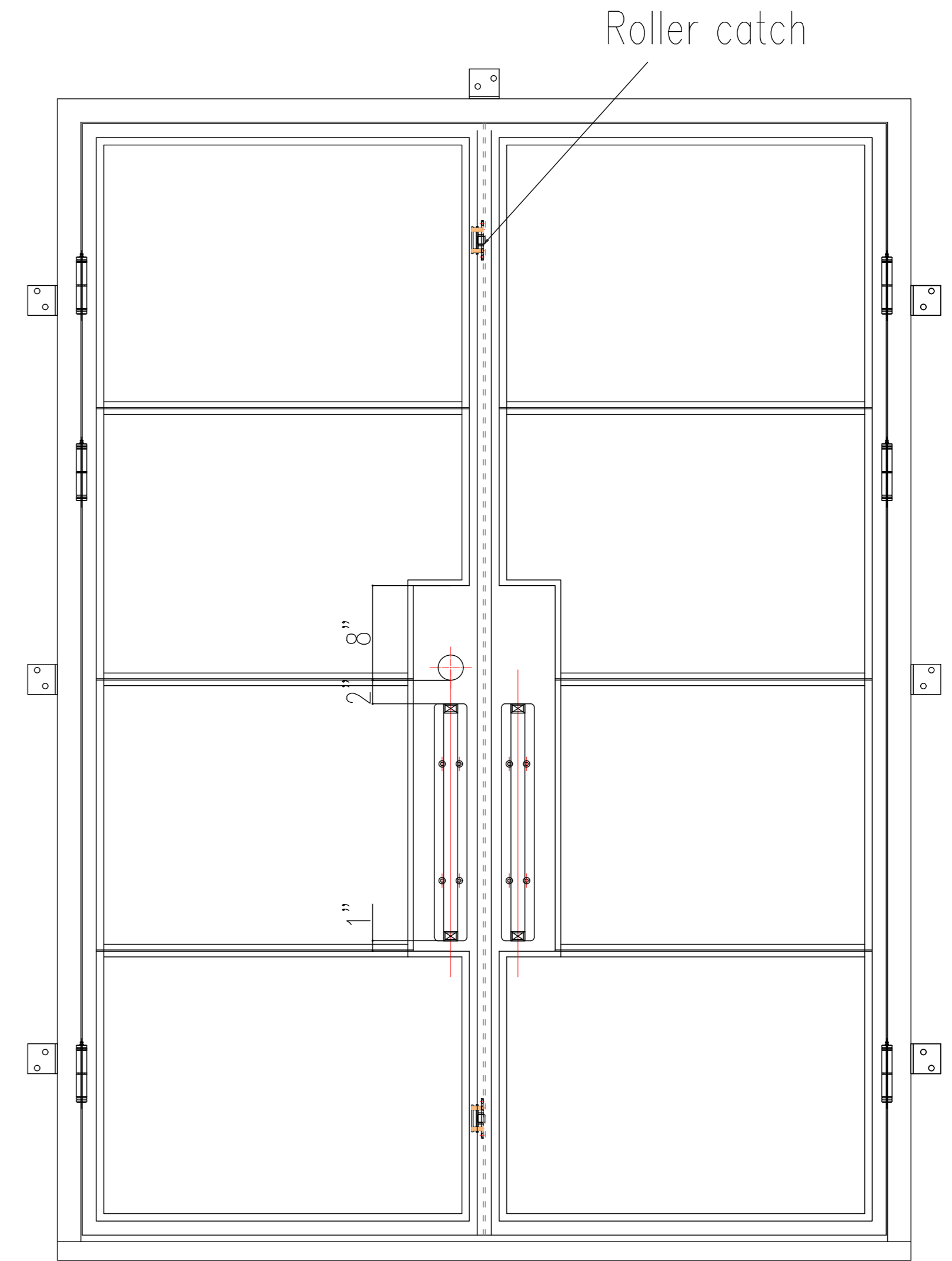
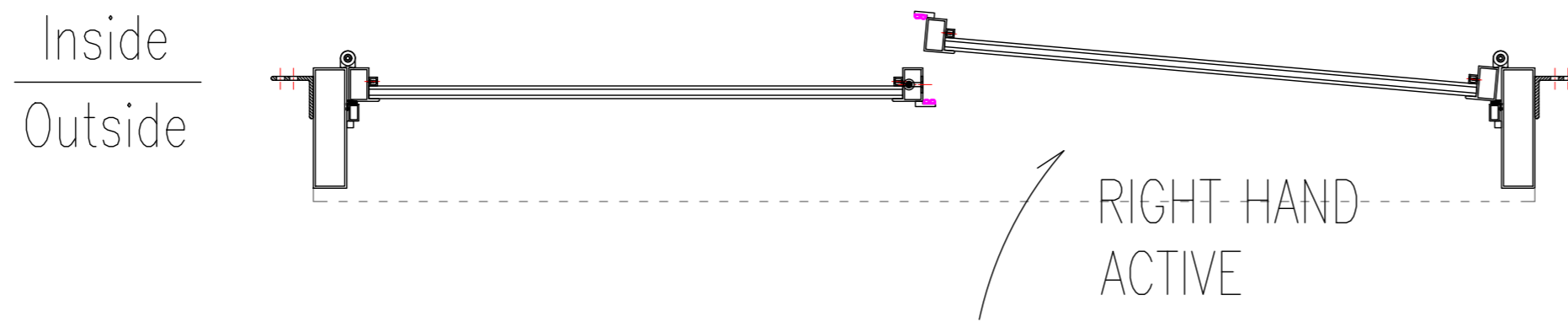
Drawing Date	14th.Oct.2025
Approval By	
Revision Date	15th.Oct.2025
Revision Date	



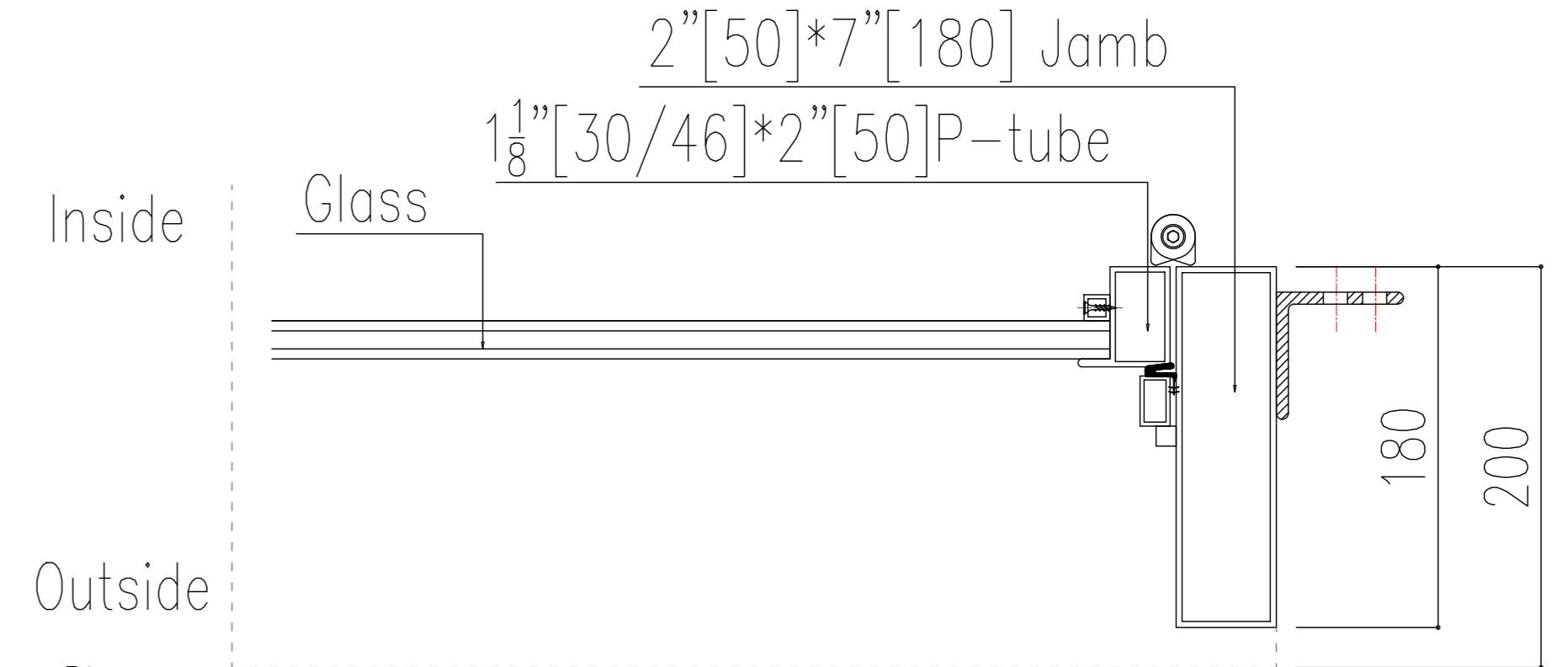
Right Hand Inswing



View From Outside Of House



View From Inside Of House



NEW Construction

*If this is new construction, LTD is not responsible for measurements of Door and Jamb Size, please verify all is correct with builder
 *The framing needs to be framed 1" wider than the width of actual door unit and 1" taller (EX: Door specs 72" x 96" framing should be 73" x 97")
 *We currently make all new construction doors are built with a 2" x 8" jamb
 *Here is a chart LTD follows to help:
 If studs are 2"x4" and you are using brick or faux stone, we use a 2"x6" jamb
 If studs are 2"x6" and you are using brick or faux stone, we use a 2"x8" jamb
 If you are using real stone, add 2" to these final jamb depths.

*Orders not processed until cads are approved
 *Approximately 90-120 days lead time on all custom orders
 *Deposits are non-refundable on all custom orders
 *Faux finish is hand applied and can vary from door to door
 *Love That door reserves the right to photo complete job and use as marketing or advertising
 *Please review all information for the selection of your door and send an email acknowledgement or sign and return CAD with approval
 *If this is new construction, LTD is not responsible for measurements if Door and Jamb size, please verify all is correct with builder.