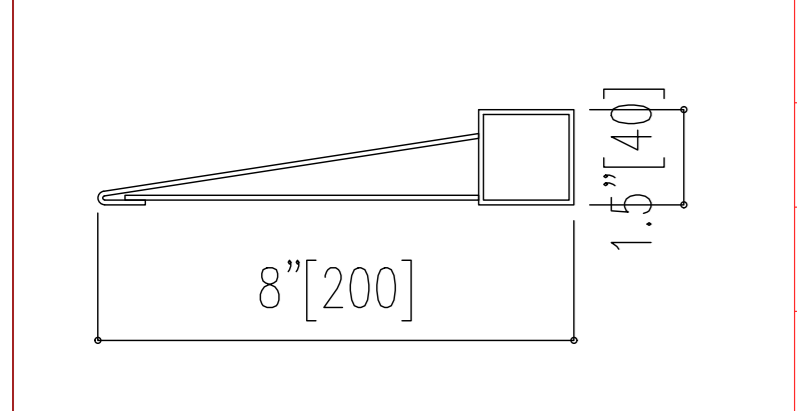
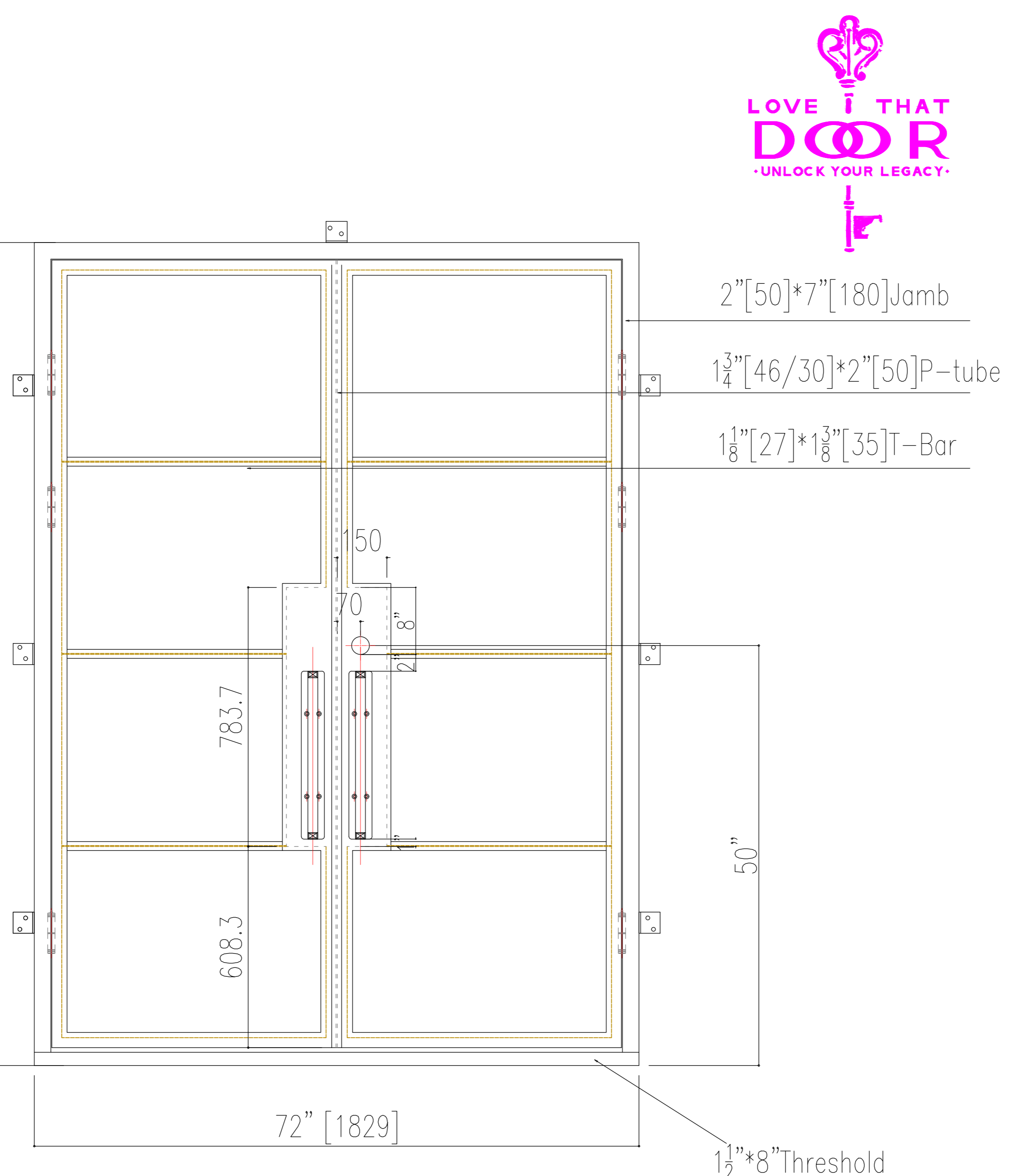


In Production	
Item NO.	FF5 C3 72X98, SQUARE, 4 LITES, RAIN
Qty	1 set
Door Open	Right Hand Inswing
Screens	Yes <input type="checkbox"/> No <input checked="" type="checkbox"/>
Finish	Black
Glass	Rain
Glass Panel	Operating <input type="checkbox"/>
	Fixed <input checked="" type="checkbox"/>
	
Handles	With No. W1 <input checked="" type="checkbox"/>
	Without <input type="checkbox"/>
	
Lock Color	TBD
Lock Shape	TBD
Trim Type	TBD

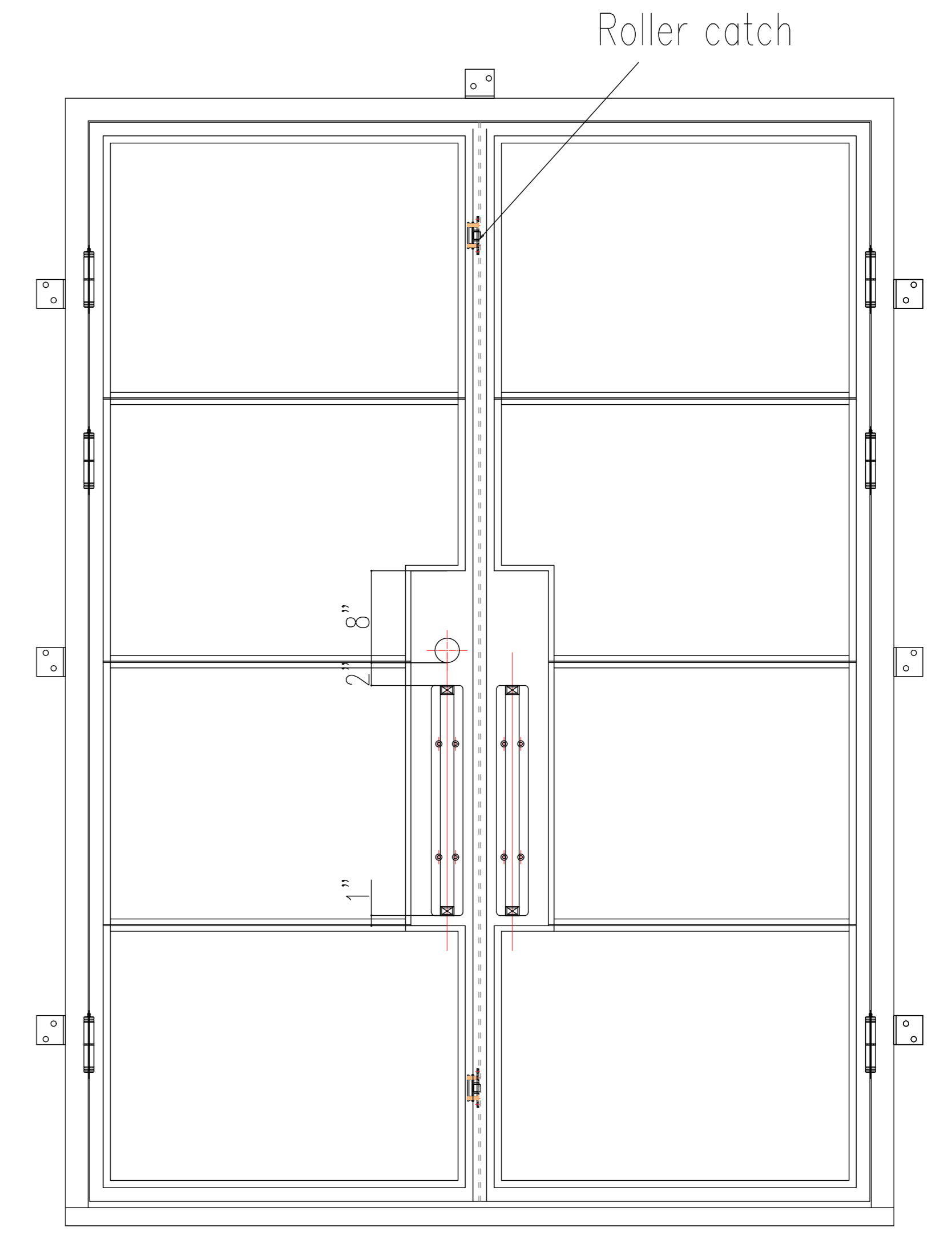
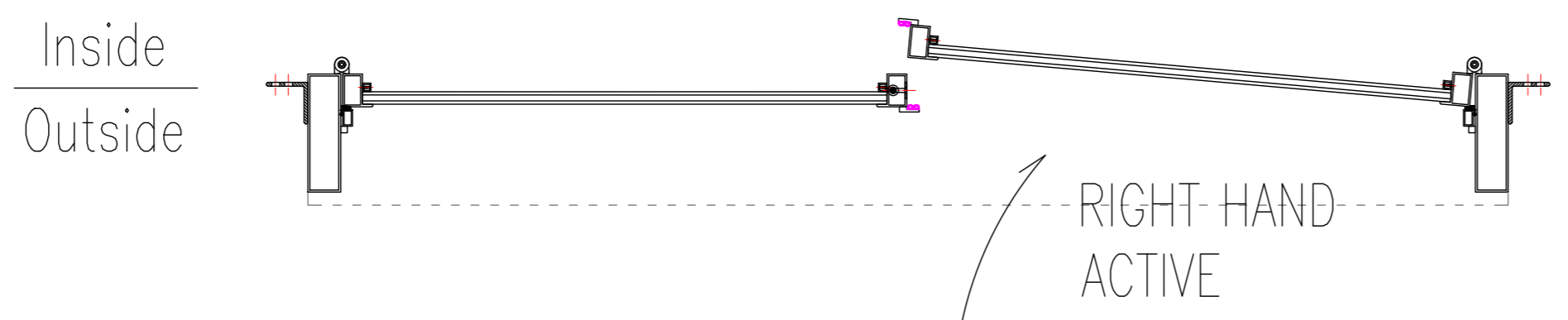
LTD /Builder Use Only	
Measurement	Rough Measure <input type="checkbox"/>
	Final Measure <input checked="" type="checkbox"/>
Jamb 2"x7"	4" <input type="checkbox"/> 6" <input type="checkbox"/>
	8" <input type="checkbox"/> 12" <input type="checkbox"/>
Threshold 1.5"x8"	Yes <input checked="" type="checkbox"/>
	No <input type="checkbox"/>



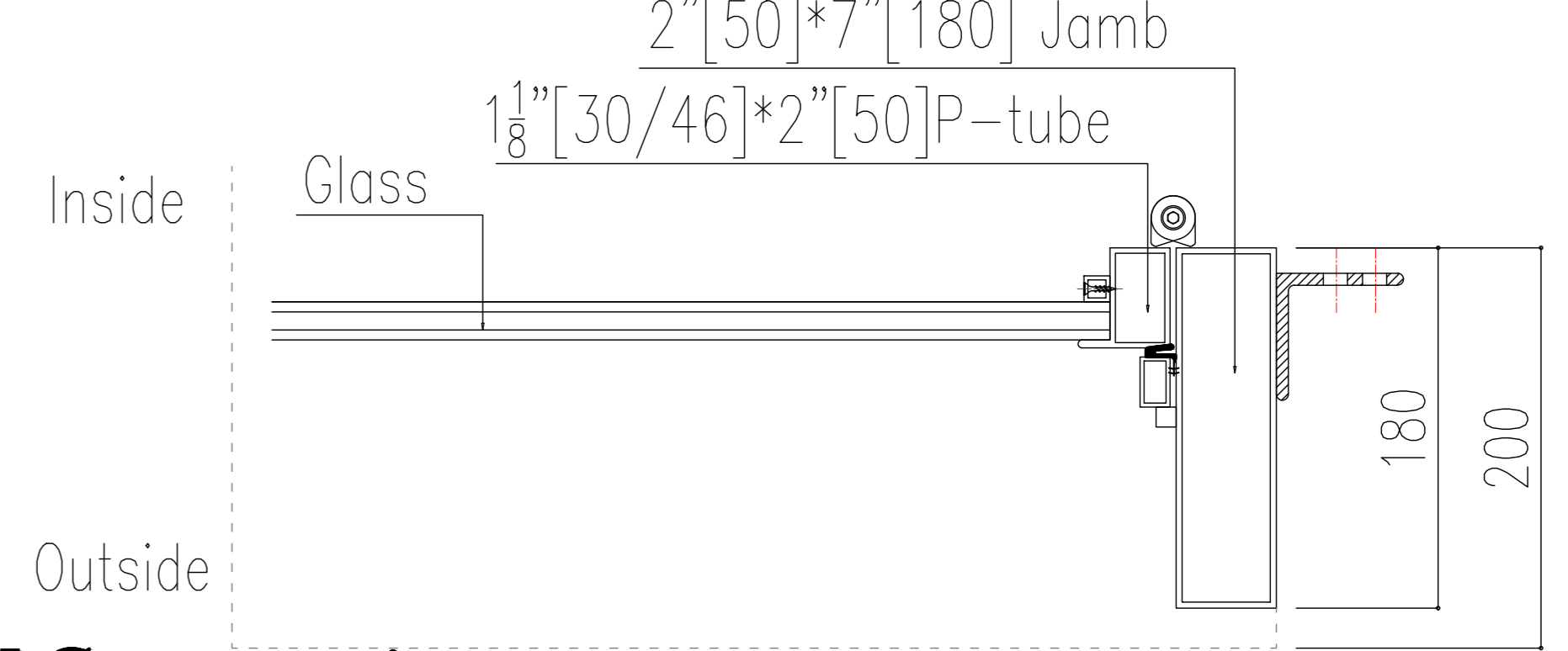
Mounting	Tabs	<input checked="" type="checkbox"/>
	Holes	<input type="checkbox"/>
Install	Yes	<input checked="" type="checkbox"/>
	No	<input type="checkbox"/>
Drawing Date	14th.Oct.2025	
Approval By		
Revision Date	15th.Oct.2025	
Revision Date		



View From Outside Of House



View From Inside Of House



NEW Construction

*If this is new construction, LTD is not responsible for measurements of Door and Jamb Size, please verify all is correct with builder

*The framing needs to be framed 1" wider than the width of actual door unit and 1" taller (EX: Door specs 72" x 96" framing should be 73" x 97")

*We currently make all new construction doors are built with a 2" x 8" jamb

*Here is a chart LTD follows to help:

If studs are 2"x4" and you are using brick or faux stone, we use a 2"x6" jamb

If studs are 2"x6" and you are using brick or faux stone, we use a 2"x8" jamb

If you are using real stone, add 2" to these final jamb depths.

*Orders not processed until cads are approved

*Approximately 90-120 days lead time on all custom orders

*Deposits are non-refundable on all custom orders

*Faux finish is hand applied and can vary from door to door

*Love That door reserves the right to photo complete job and use as marketing or advertising

*Please review all information for the selection of your door and send an email acknowledgement or sign and return CAD with approval

*If this is new construction, LTD is not responsible for measurements if Door and Jamb size, please verify all is correct with builder.